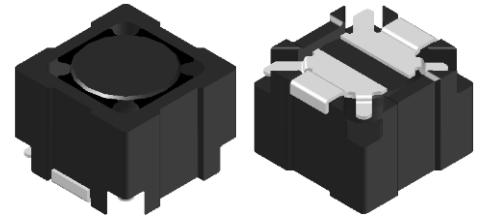


# CMI-SSP6045NH-SERIES

## Features

- ▶ SMD Inductor
- ▶ Magnetic shield type wound inductor for power circuits.
- ▶ Available tape and reel for auto insertion.
- ▶ Halogen-Free.
- ▶ RoHS compliant.

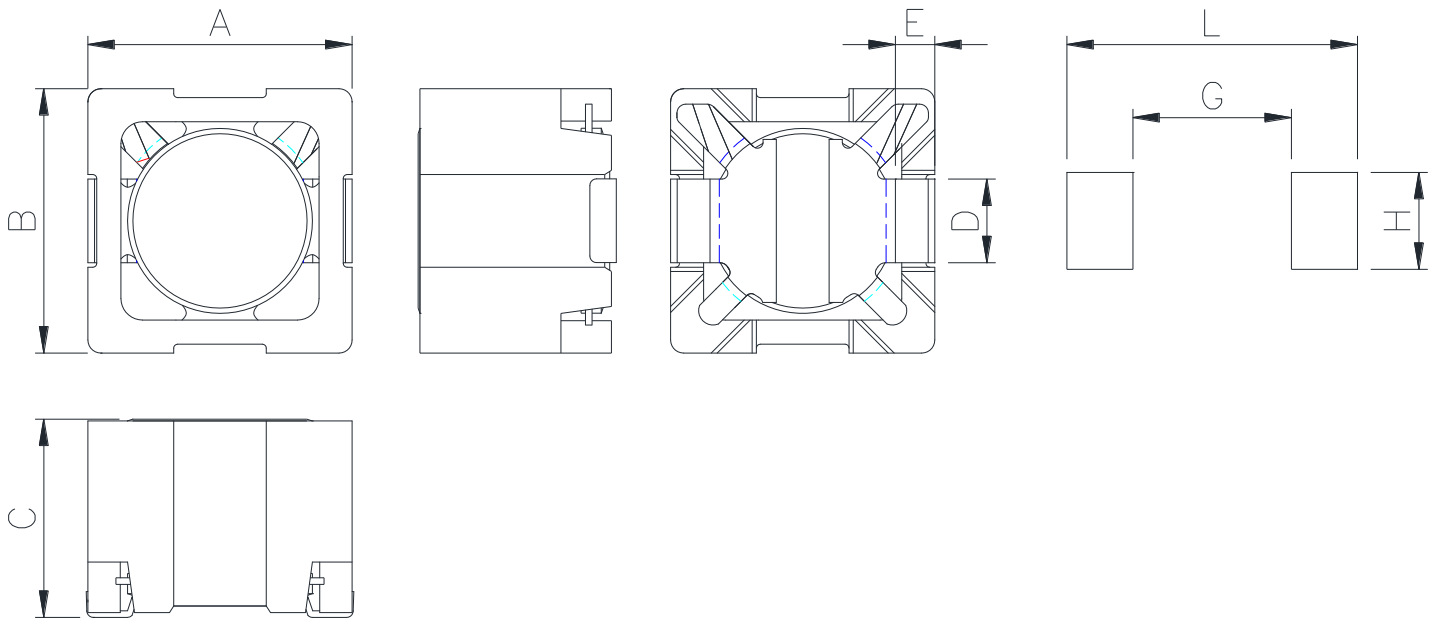


## Applications

- ▶ For DC/DC converter, AV equipment digital consumer electronics

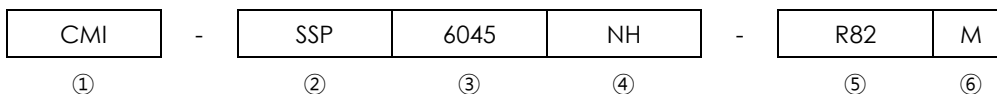
## Dimension (Unit:mm)

## Land Pattern (Unit:mm)



A	B	C	D	E	G	H	L
6.0 ±0.3	6.0 ±0.3	4.5 Max.	1.9 ±0.2	0.9 ±0.2	3.6	2.2	6.6

## Regulation of part number



- ① CoilMaster's initial
- ② Series Name : Shielded core Square shape Pin type Power Inductor
- ③ Core Size (unit:mm)
- ④ Type
- ⑤ Typical inductance value (0.82uH)
- ⑥ Inductance tolerance ( $\pm 20\%$ )

## Specifications

Part Number	Inductance (uH)	Tolerance ( $\pm$ )	DCR (mohm) Max.(Typ.)	Isat(A) Max.(Typ.)	Itemp(A) Max.(Typ.)	Test Frequency (Hz)
CMI-SSP6045NF-R82M	0.82	20%	16.3(12.5)	8.40(8.80)	8.00(8.40)	100k
CMI-SSP6045NF-1R0M	1.0	20%	16.7(12.8)	8.00(8.40)	7.70(8.10)	100k
CMI-SSP6045NF-1R2M	1.2	20%	16.8(13)	7.60(8.00)	7.40(7.80)	100k
CMI-SSP6045NF-1R5M	1.5	20%	16.9(14)	6.50(7.00)	6.50(7.00)	100k
CMI-SSP6045NF-2R2M	2.2	20%	18(15)	5.20(5.70)	5.20(5.70)	100k
CMI-SSP6045NF-3R3M	3.3	20%	26(20)	4.00(4.50)	3.90(4.30)	100k
CMI-SSP6045NF-4R7M	4.7	20%	36(30)	3.90(4.30)	3.80(4.20)	100k
CMI-SSP6045NF-100M	10	20%	60(50)	2.70(2.90)	3.10(3.50)	100k
CMI-SSP6045NF-150M	15	20%	84(70)	2.00(2.20)	2.50(2.70)	100k
CMI-SSP6045NF-220M	22	20%	102(85)	1.30(1.40)	1.60(1.80)	100k
CMI-SSP6045NF-330M	33	20%	170(140)	0.90(1.00)	1.10(1.30)	100k
CMI-SSP6045NF-470M	47	20%	222(185)	0.75(0.80)	0.85(0.90)	100k
CMI-SSP6045NF-101M	100	20%	408(340)	0.47(0.50)	0.61(0.64)	100k

- Isat: When based on the inductance change rate (Approximately 30% below in the initial value)
- Itemp: When based on the temperature increase (Temperature increase of approximately 40°C by self heating)
- Operating Temperature Range (including self temperature) : -40°C ~ +125 °c

Note 1 : Circuit design, component placement, PCB trace size and thickness, airflow and other cooling. Provision all affect the part Temperature. Part temperature should be verified in the end application.

▪ **You can also contact us by e-mail : [coilmaster@coilmaster.com](mailto:coilmaster@coilmaster.com)**

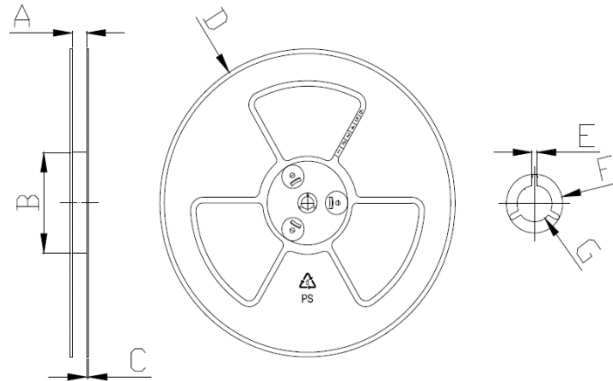
- All specifications are subject to change without notice.
- Update date : 2024.05.23

[www.coilmaster.com](http://www.coilmaster.com)

## Packaging

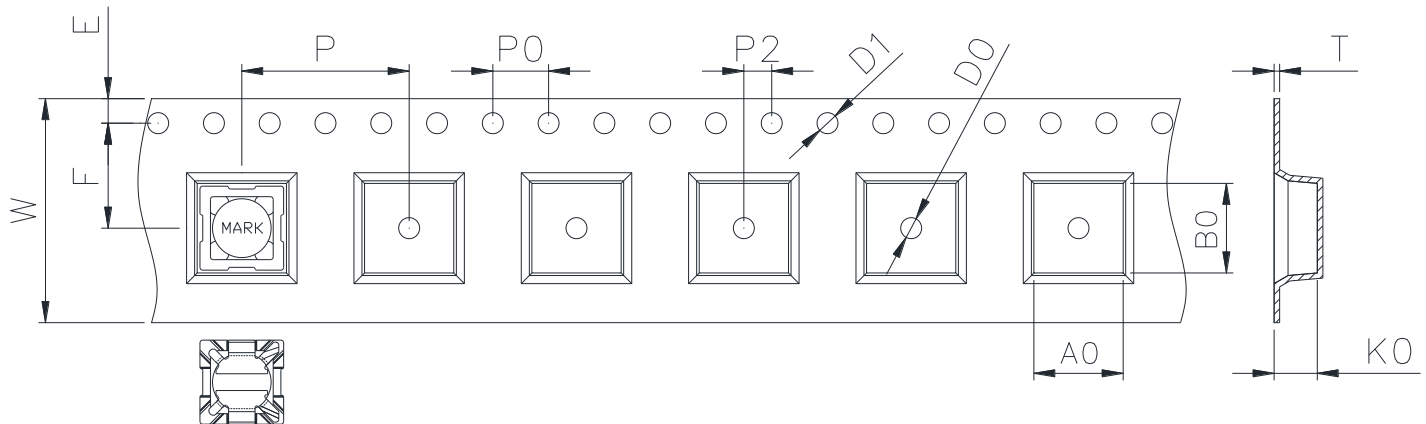
(1) Package quantity : 1,000 (pcs/reel)

(2) Reel Dimensions (unit:mm)



A	B	C	D	E	F	G
16.50	100.0	2.00	330.0	2.30	21.50	13.00
+0.50	+1.00	+0.10	+3.00	+0.30	+0.30	+0.50
-0.50	-1.00	-0.10	-3.00	-0.30	-0.30	-0.20

(3) Tape Dimensions



W	A0	B0	K0	E	F	P	P0	P2	D0/D1	T
16.00	6.40	6.40	4.90	1.75	7.50	12.00	4.00	2.00	1.50	0.40
+0.30	+0.10	+0.10	+0.10	+0.10	+0.10	+0.10	+0.10	+0.10	+0.10	+0.05
-0.10	-0.10	-0.10	-0.10	-0.10	-0.10	-0.10	-0.10	-0.10	-0.00	-0.05

Korea Sales Office (KOREA) +82)31-904-1444  
 China Sales Office (CHINA) +86)0758-683-1444  
 Hungary Sales office (EUROPE) +36)1-404-5832

H.K Sales Office (HONGKONG) +852)2711-5551  
 LA Sales Office (USA) +1)714-616-6989

• You can also contact us by e-mail : [coilmaster@coilmaster.com](mailto:coilmaster@coilmaster.com)

- All specifications are subject to change without notice.
- Update date : 2024.05.23

[www.coilmaster.com](http://www.coilmaster.com)