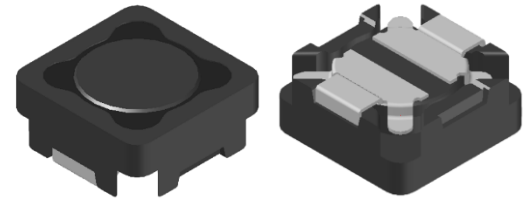


CMI-SSP7032NH-A SERIES

Features

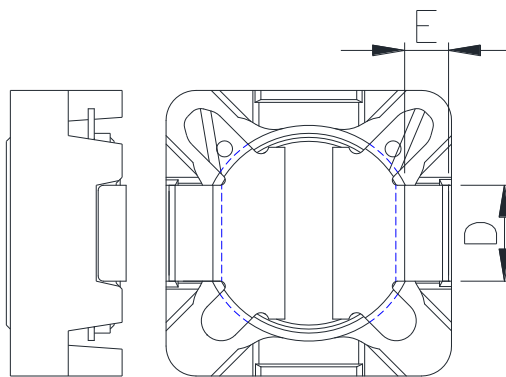
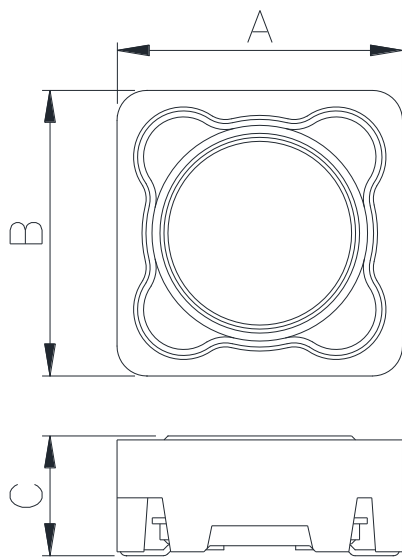
- ▶ SMD inductor
- ▶ It corresponds to High current.
- ▶ Simple and Shield structure.
- ▶ Available tape and reel for auto insertion.
- ▶ RoHS compliant.
- ▶ Halogen Free.



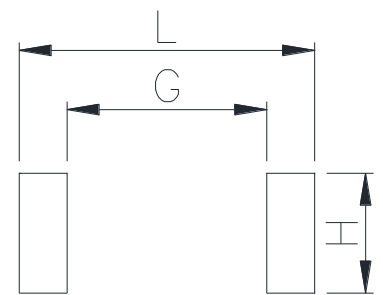
Applications

- ▶ For small DC/DC converter (LCD/LED/OLED TV, PC, SETTOP etc).
- ▶ For Power supply circuits.

Dimension (Unit:mm)

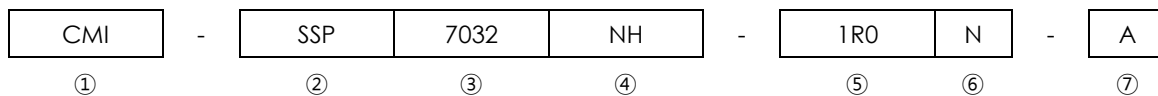


Land Pattern (Unit:mm)



| A | B | C | D | E | G | H | L |
|-----------|-----------|----------|----------|----------|-----|-----|-----|
| 7.15 ±0.2 | 7.15 ±0.2 | 3.2 Max. | 2.4 ±0.2 | 1.1 ±0.2 | 5.0 | 3.0 | 7.4 |

Regulation of part number



- ① CoilMaster's initial
- ② Series Name : Shielded core Square shape Pin type Power Inductor
- ③ Core Size (unit:mm)
- ④ Type
- ⑤ Typical inductance value (1.0uH)
- ⑥ Inductance tolerance ($\pm 20\%$)
- ⑦ Revision (A)

Specifications

| Part Number | Inductance (uH) | Tolerance (\pm) | DCR (mohm) Max.(Typ.) | Isat(A) Max. | Itemp(A) Max. | Test Frequency (Hz) |
|----------------------|-----------------|---------------------|-----------------------|--------------|---------------|---------------------|
| CMI-SSP7032NH-1R0N-A | 1.0 | 30% | 20.4(17) | 4.50 | | 100k |
| CMI-SSP7032NH-3R3N-A | 3.3 | 30% | 32.4(27) | 3.60 | | 100k |
| CMI-SSP7032NH-4R7N-A | 4.7 | 30% | 39.6(33) | 3.10 | | 100k |
| CMI-SSP7032NH-6R8N-A | 6.8 | 30% | 51.6(43) | 2.50 | | 100k |
| CMI-SSP7032NH-100M-A | 10 | 20% | 69.6(58) | 2.00 | | 100k |
| CMI-SSP7032NH-220M-A | 22 | 20% | 150(125) | 1.30 | | 100k |
| CMI-SSP7032NH-330M-A | 33 | 20% | 231.6(193) | 1.10 | | 100k |
| CMI-SSP7032NH-470M-A | 47 | 20% | 325.2(271) | 0.85 | | 100k |
| CMI-SSP7032NH-680M-A | 68 | 20% | 476.4(397) | 0.80 | | 100k |
| CMI-SSP7032NH-101M-A | 100 | 20% | 639.6(533) | 0.65 | | 100k |
| CMI-SSP7032NH-221M-A | 220 | 20% | 1426(1189) | 0.45 | | 100k |
| | | | | | | |
| | | | | | | |
| | | | | | | |
| | | | | | | |

- Isat: When based on the inductance change rate (Approximately 20% below in the initial value)
- Itemp: When based on the temperature increase (Temperature increase of approximately 40°C by self heating)
- Operating Temperature Range (including self temperature) : -40°C ~ +125 °c

Note 1 : Circuit design, component placement, PCB trace size and thickness, airflow and other cooling. Provision all affect the part Temperature. Part temperature should be verified in the end application.

▪ You can also contact us by e-mail : coilmaster@coilmaster.com

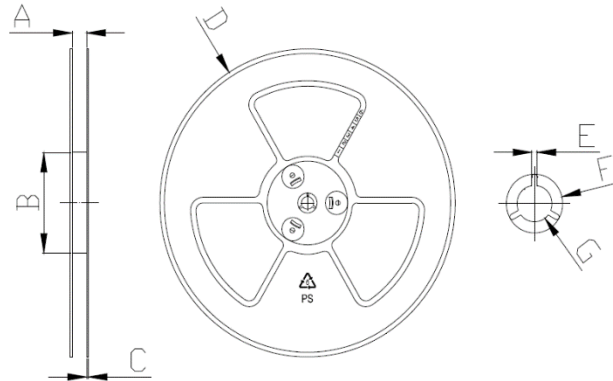
- All specifications are subject to change without notice.
- Update date : 2015.11.09

www.coilmaster.com

Packaging

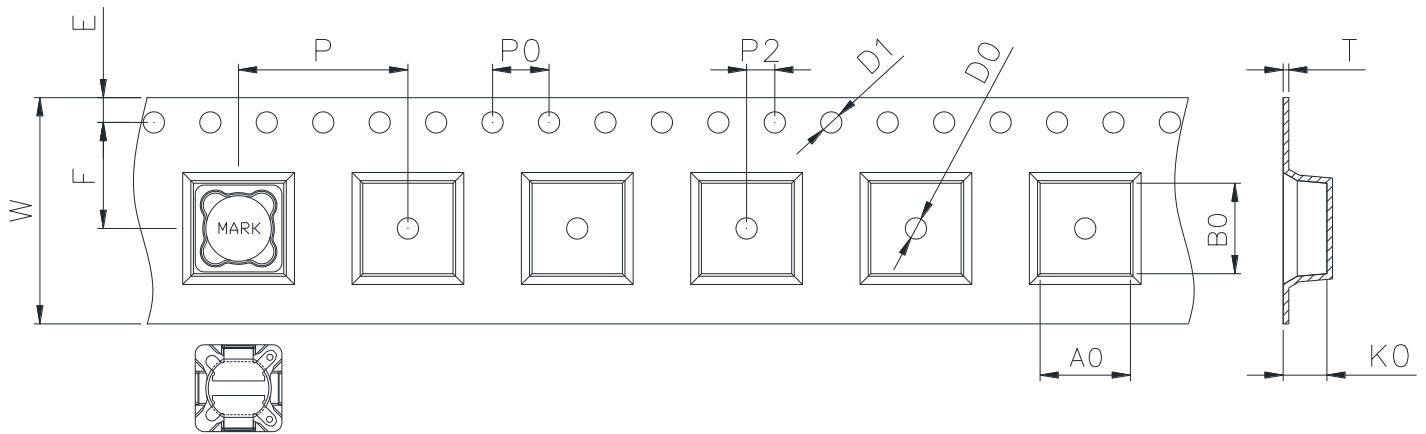
(1) Package quantity : 1,000 (pcs/reel)

(2) Reel Dimensions (unit:mm)



| A | B | C | D | E | F | G |
|-------|-------|-------|-------|-------|-------|-------|
| 16.50 | 100.0 | 2.00 | 330.0 | 2.30 | 21.50 | 13.00 |
| +0.50 | +1.00 | +0.10 | +3.00 | +0.30 | +0.30 | +0.50 |
| -0.50 | -1.00 | -0.10 | -3.00 | -0.30 | -0.30 | -0.20 |

(3) Tape Dimensions



| W | A0 | B0 | K0 | E | F | P | P0 | P2 | D0/D1 | T |
|-------|-------|-------|-------|-------|-------|-------|-------|-------|-------|-------|
| 16.00 | 7.45 | 7.45 | 3.60 | 1.75 | 7.50 | 12.00 | 4.00 | 2.00 | 1.50 | 0.40 |
| +0.30 | +0.15 | +0.15 | +0.10 | +0.10 | +0.10 | +0.10 | +0.10 | +0.10 | +0.10 | +0.05 |
| -0.10 | -0.15 | -0.15 | -0.10 | -0.10 | -0.10 | -0.10 | -0.10 | -0.10 | -0.00 | -0.05 |

Korea Sales Office (KOREA) +82)31-904-1444
 China Sales Office (CHINA) +86)0758-683-1444
 Hungary Sales office (EUROPE) +36)1-404-5832

H.K Sales Office (HONGKONG) +852)2711-5551
 LA Sales Office (USA) +1)714-616-6989

• You can also contact us by e-mail : coilmaster@coilmaster.com

- All specifications are subject to change without notice.
- Update date : 2015.11.09

www.coilmaster.com