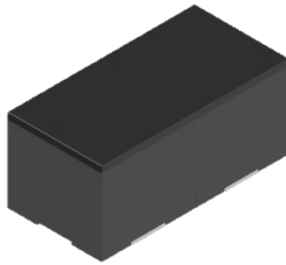


CMI-TSCC142814N-432K



Picture



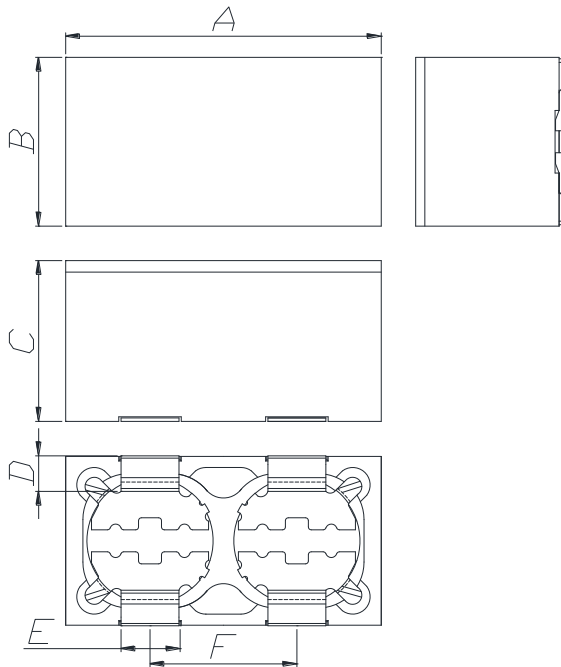
Features

- ▶ shielded construction
- ▶ Compact Size
- ▶ Multi channel type
- ▶ RoHS compliant

Applications

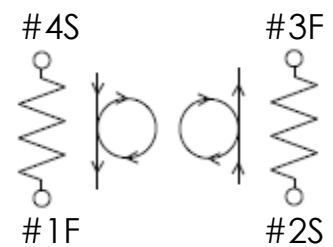
- ▶ LED Drive Circuit, LED Buck Boost, Slim TV SMPS

Dimension (Unit:mm)

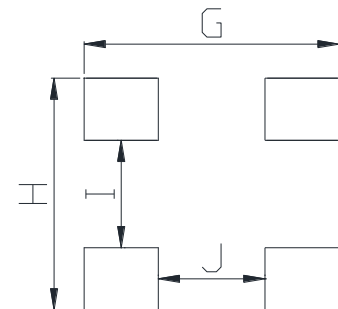


A	B	C	D	E	F
27.5±0.5	14.5±0.5	14.0 Max	3.0±0.2	5.0±0.2	12.8±0.2

Schematic Diagram



Land Pattern (Unit:mm)



G	H	I	J
18.05	16.5	7.6	7.55

Specifications

Part No.	Inductance (μ H) $\pm 10\%$	DCR (m Ω) Max.	Saturation Current(A)		Test Frequency (Hz)
			25 °c	100 °c	
CMI-TSCC142814N-432K	4300	3850	0.60	0.50	100k

- Saturation Current : Depends on inductance saturation.
(Inductance reduction from initial shall be under 20%)
- Test Condition : Temperature 20 °c \pm 5 °c, Humidity 65% \pm 20%

Ilsan Sales Office (KOREA) +82)31-904-1444
 Shenzhen Sales Office (CHINA) +86)755-8663-6929
 Hungary Sales office (EUROPE) +36)30-913-7706

H.K Sales Office (HONGKONG) +852)2711-5551
 LA Sales Office (USA) +1)866-446-3586

• You can also contact us by e-mail : coilmaster@coilmaster.com

- All specifications are subject to change without notice.
- Update date : 2018.07.31

www.coilmaster.com