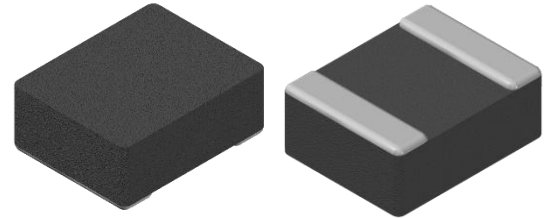


CMI-CMMP252010BS-SERIES

Features

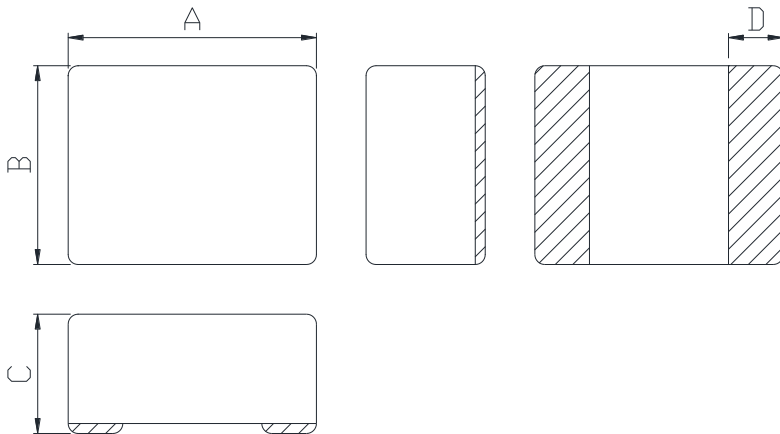
- ▶ Small size and Low profile.
- ▶ Compact design.
- ▶ Metal powder molding type for EMC protection.
- ▶ Available tape and reel for auto insertion.
- ▶ Halogen-Free.
- ▶ RoHS compliant.
- ▶ AEC-Q200 qualified.



Applications

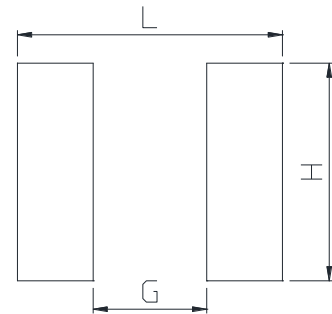
- ▶ Car navigation, Car stereo and Car accessories, ADAS ECU, In-C-Vehicle camera (View camera, Sensing camera), Automotive communication module.

Dimension (Unit:mm)



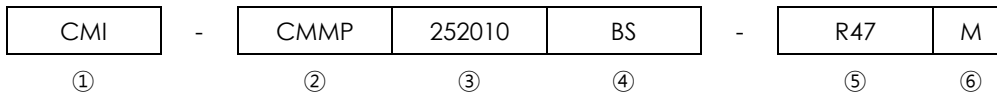
| A | B | C | D |
|----------|----------|----------|------------|
| 2.5 ±0.2 | 2.0 ±0.2 | 1.0 Max. | 0.55 ±0.25 |

Land Pattern (Unit:mm)



| L | G | H |
|-----|-----|-----|
| 2.8 | 1.2 | 2.3 |

Regulation of part number



- ① CoilMaster's initial
- ② Series Name : Car Metal Molded Power inductor
- ③ Core Size (unit:mm)
- ④ Type
- ⑤ Typical inductance value (0.47uH)
- ⑥ Inductance tolerance (±20%)

Specifications

| Part Number | Inductance (uH) ±20% | DCR(mohm) Max.(Typ.) | Isat(A) Max.(Typ.) | Itemp(A) Max.(Typ.) | Test Frequency (Hz) |
|-----------------------|-------------------------|-------------------------|-----------------------|------------------------|---------------------------|
| CMI-CMMP252010BS-R24M | 0.24 | 20(17) | 8.4(9.2) | 6.0(6.3) | 1M |
| CMI-CMMP252010BS-R47M | 0.47 | 38.4(32) | 6.6(7.2) | 3.3(3.7) | 1M |
| CMI-CMMP252010BS-R68M | 0.68 | 50.4(42) | 5.2(5.7) | 3.2(3.6) | 1M |
| CMI-CMMP252010BS-1R0M | 1.0 | 66(55) | 4.2(4.8) | 2.7(3.0) | 1M |
| CMI-CMMP252010BS-1R2M | 1.2 | 80(66) | 3.6(4.0) | 2.3(2.6) | 1M |
| CMI-CMMP252010BS-1R5M | 1.5 | 90(75) | 3.4(3.8) | 2.2(2.5) | 1M |
| CMI-CMMP252010BS-2R2M | 2.2 | 120(100) | 3.0(3.4) | 1.8(2.0) | 1M |
| CMI-CMMP252010BS-3R3M | 3.3 | 174(145) | 2.2(2.5) | 1.6(1.8) | 1M |
| CMI-CMMP252010BS-4R7M | 4.7 | 288(240) | 1.3(1.5) | 1.2(1.4) | 1M |
| CMI-CMMP252010BS-6R8M | 6.8 | 360(300) | 1.1(1.3) | 1.0(1.2) | 1M |
| | | | | | |
| | | | | | |
| | | | | | |
| | | | | | |
| | | | | | |

- Isat: When based on the inductance change rate (Approximately 30% below in the initial value)
- Itemp: When based on the temperature increase (Temperature increase of approximately 40°C by self heating)
- Operating Temperature Range (including self temperature) : -40°C ~ +150 °c

Note 1 : Circuit design, component placement, PCB trace size and thickness, airflow and other cooling. Provision all affect the part Temperature. Part temperature should be verified in the end application.

▪ **You can also contact us by e-mail : coilmaster@coilmaster.com**

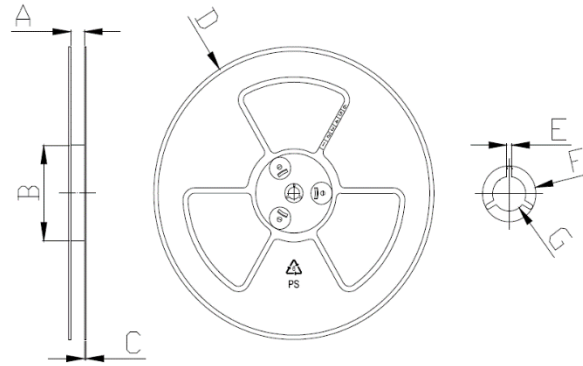
- All specifications are subject to change without notice.
- Update date : 2023.05.25

www.coilmaster.com

Packaging

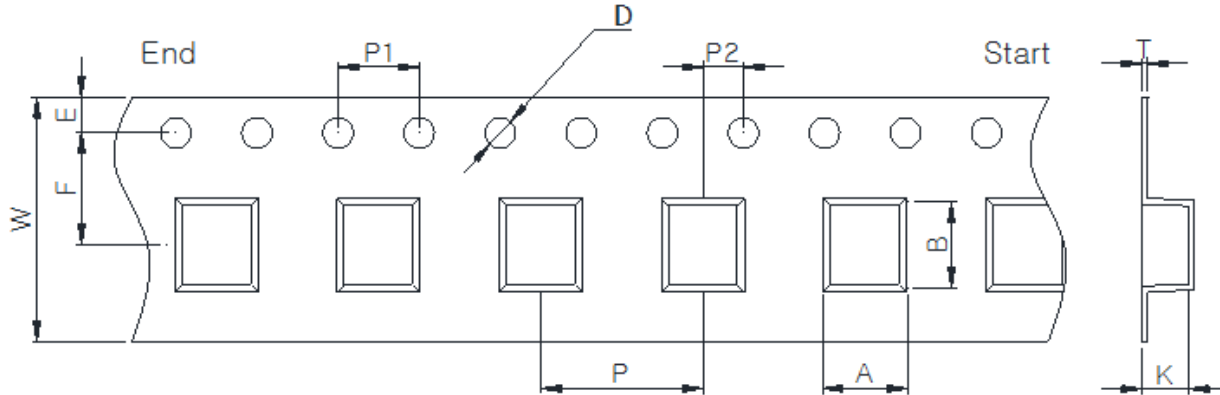
(1) Package quantity : 3,000 (pcs/reel)

(2) Reel Dimensions (unit:mm)



| A | B | C | D | E | F | G |
|-------|-------|-------|-------|-------|-------|-------|
| 8.50 | 60.0 | 1.50 | 178.0 | 2.70 | 22.50 | 13.50 |
| +0.50 | +2.00 | +0.20 | +1.00 | +0.30 | +0.50 | +0.50 |
| -0.50 | -2.00 | -0.20 | -1.00 | -0.30 | -0.50 | -0.50 |

(3) Tape Dimensions



| W | A | B | K | E | F | P | P1 | P2 | D | T |
|-------|-------|-------|-------|-------|-------|-------|-------|-------|-------|-------|
| 8.00 | 2.35 | 2.80 | 1.10 | 1.75 | 3.50 | 4.00 | 4.00 | 2.00 | 1.50 | 0.25 |
| +0.10 | +0.10 | +0.10 | +0.10 | +0.15 | +0.10 | +0.10 | +0.10 | +0.05 | +0.10 | +0.05 |
| -0.10 | -0.10 | -0.10 | -0.10 | -0.10 | -0.10 | -0.10 | -0.10 | -0.05 | -0.00 | -0.05 |

Korea Sales Office (KOREA) +82)31-904-1444
 China Sales Office (CHINA) +86)0758-683-1444
 Hungary Sales office (EUROPE) +36)1-404-5832

H.K Sales Office (HONGKONG) +852)2711-5551
 LA Sales Office (USA) +1)714-616-6989

• You can also contact us by e-mail : coilmaster@coilmaster.com

- All specifications are subject to change without notice.
- Update date : 2023.05.25

www.coilmaster.com