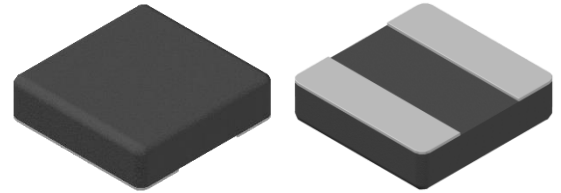


# CMI-CMMP5015HL-B SERIES

## Features

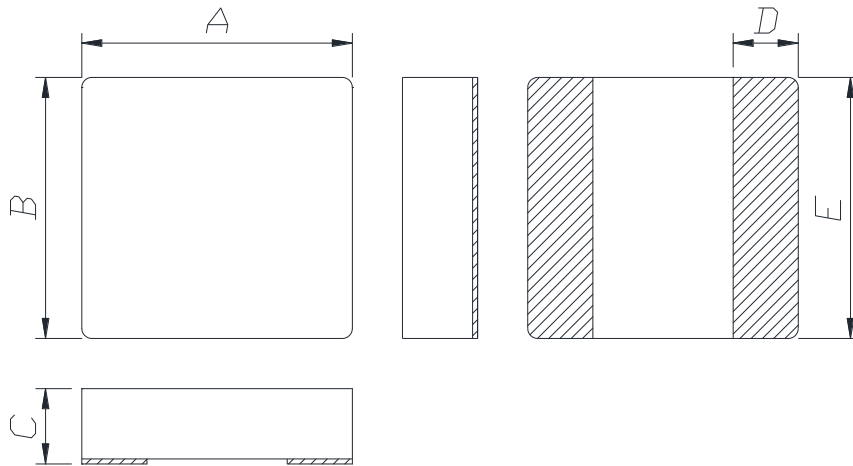
- ▶ Low DCR and low profile.
- ▶ Compact design.
- ▶ Metal powder molding type for EMC protection.
- ▶ Available tape and reel for auto insertion.
- ▶ Halogen-Free.
- ▶ RoHS compliant.
- ▶ AEC-Q200 qualified.



## Applications

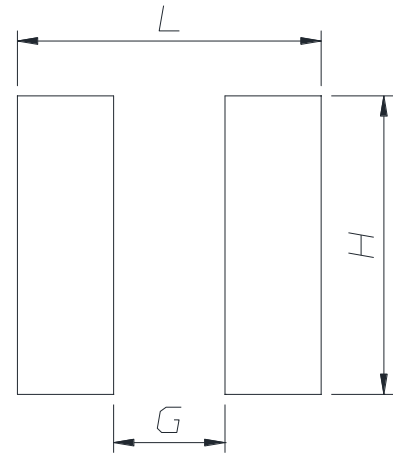
- ▶ Car navigation, Car stereo and Car accessories, ADAS ECU, In-C-Vehicle camera (View camera, Sensing camera), Automotive communication module.

## Dimension (Unit:mm)



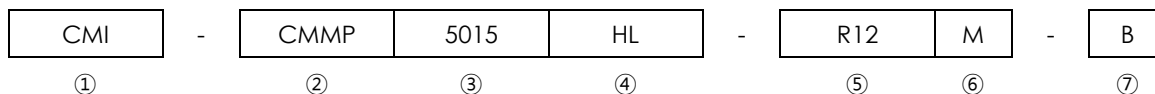
A	B	C	D	E
5.4 ±0.3	5.2 ±0.3	1.5 Max.	1.3 ±0.3	5.2 ±0.3

## Land Pattern (Unit:mm)



L	G	H
6.0	2.2	5.9

## Regulation of part number



- ① CoilMaster's initial
- ② Series Name : Car Metal Molded Power inductor
- ③ Core Size (unit:mm)
- ④ Type
- ⑤ Typical inductance value (0.12uH)
- ⑥ Inductance tolerance ( $\pm 20\%$ )
- ⑦ Revision (B)

## Specifications

Part Number	Inductance (uH) $\pm 20\%$	DCR(mohm) Max.(Typ.)	Isat(A) Max.(Typ.)	Itemp(A) Max.(Typ.)	Test Frequency (Hz)
CMI-CMMP5015HL-R12M-B	0.12	3.7(3.2)	26.3(30.5)	16.8(18.9)	1M
CMI-CMMP5015HL-R22M-B	0.22	4.4(3.8)	17.6(21.0)	15.2(16.8)	1M
CMI-CMMP5015HL-R47M-B	0.47	12.7(10.8)	13.3(15.8)	9.5(10.5)	1M
CMI-CMMP5015HL-R68M-B	0.68	15.5(13.5)	11.6(13.7)	8.5(9.5)	1M
CMI-CMMP5015HL-1R0M-B	1.0	23(19)	8.9(10.5)	6.1(6.8)	1M
CMI-CMMP5015HL-1R2M-B	1.2	31(26)	7.9(9.1)	5.7(6.3)	1M
CMI-CMMP5015HL-2R2M-B	2.2	52(45)	6.3(7.4)	4.2(5.3)	1M
CMI-CMMP5015HL-3R3M-B	3.3	72(60)	4.5(5.4)	3.3(3.7)	1M
CMI-CMMP5015HL-4R7M-B	4.7	93(82.0)	3.9(4.4)	2.8(3.3)	1M
CMI-CMMP5015HL-100M-B	10.0	159(142)	2.8(3.3)	2.0(2.2)	1M

- Isat: When based on the inductance change rate (Approximately 30% below in the initial value)
- Itemp: When based on the temperature increase (Temperature increase of approximately 40°C by self heating)
- Operating Temperature Range (including self temperature) : -40°C ~ +150 °c

Note 1 : Circuit design, component placement, PCB trace size and thickness, airflow and other cooling. Provision all affect the part Temperature. Part temperature should be verified in the end application.

▪ You can also contact us by e-mail : [coilmaster@coilmaster.com](mailto:coilmaster@coilmaster.com)

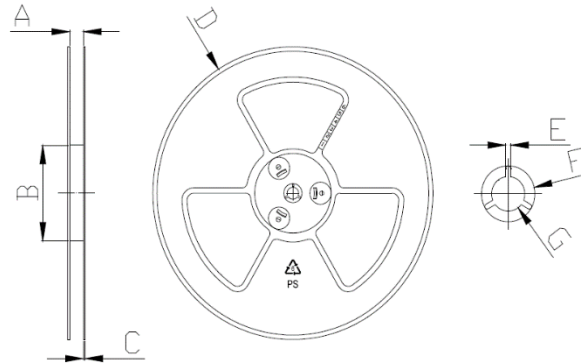
- All specifications are subject to change without notice.
- Update date : 2023.05.25

[www.coilmaster.com](http://www.coilmaster.com)

## Packaging

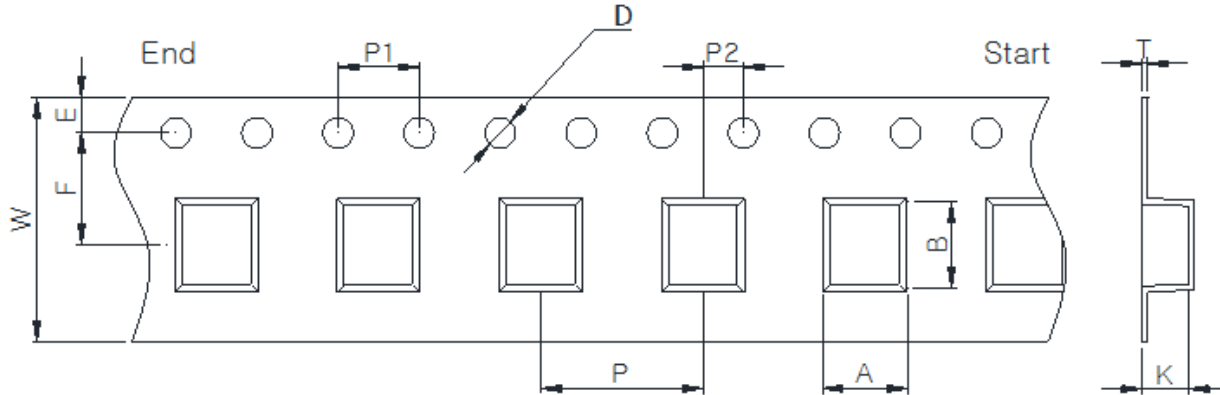
(1) Package quantity : 3,500 (pcs/reel)

(2) Reel Dimensions (unit:mm)



A	B	C	D	E	F	G
12.50	100.0	2.00	330.0	1.90	21.00	13.00
+1.00	+1.50	+0.10	+1.00	+0.40	+0.40	+0.40
-1.00	-1.50	-0.10	-1.00	-0.40	-0.40	-0.40

(3) Tape Dimensions



W	A	B	K	E	F	P	P1	P2	D	T
12.00	5.50	5.70	1.80	1.75	5.50	8.00	4.00	2.00	1.50	0.40
+0.30	+0.10	+0.10	+0.10	+0.10	+0.10	+0.10	+0.10	+0.10	+0.10	+0.05
-0.10	-0.10	-0.10	-0.10	-0.10	-0.10	-0.10	-0.10	-0.10	-0.00	-0.05

Korea Sales Office (KOREA) +82)31-904-1444  
 China Sales Office (CHINA) +86)0758-683-1444  
 Hungary Sales office (EUROPE) +36)1-404-5832

H.K Sales Office (HONGKONG) +852)2711-5551  
 LA Sales Office (USA) +1)714-616-6989

• You can also contact us by e-mail : [coilmaster@coilmaster.com](mailto:coilmaster@coilmaster.com)

- All specifications are subject to change without notice.
- Update date : 2023.05.25

[www.coilmaster.com](http://www.coilmaster.com)