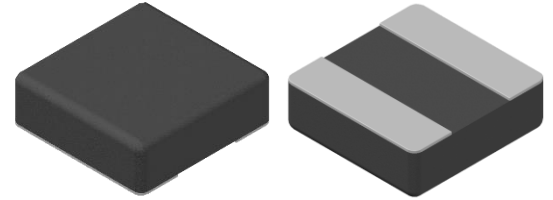


CMI-CMMP5018HL-SERIES

Features

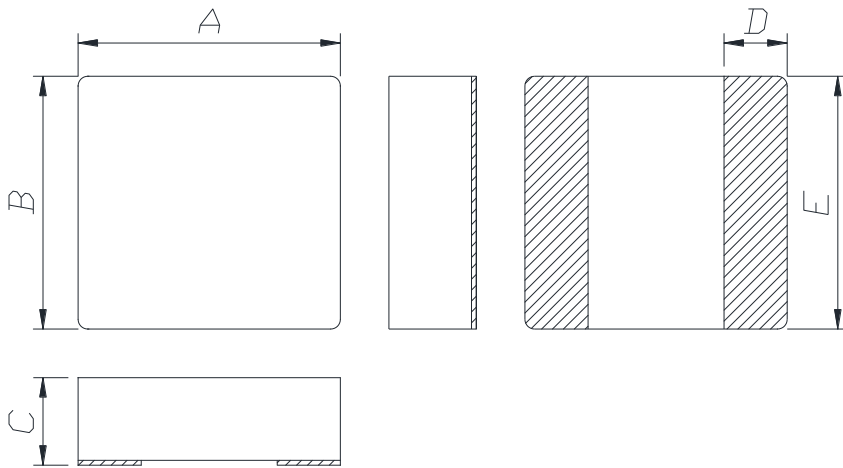
- ▶ Low profile and Compact design.
- ▶ Metal powder molding type for EMC protection.
- ▶ Available tape and reel for auto insertion.
- ▶ Halogen-Free.
- ▶ RoHS compliant.
- ▶ AEC-Q200 qualified.



Applications

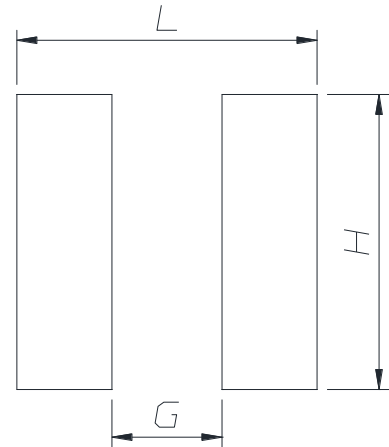
- ▶ Car navigation, Car stereo and Car accessories, ADAS ECU, In-C-Vehicle camera (View camera, Sensing camera), Automotive communication module.

Dimension (Unit:mm)



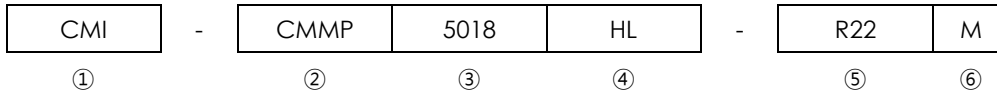
A	B	C	D	E
5.4 ±0.3	5.2 ±0.3	1.8 Max.	1.3 ±0.3	5.2 ±0.3

Land Pattern (Unit:mm)



L	G	H
6.0	2.2	5.9

Regulation of part number



- ① CoilMaster's initial
- ② Series Name : Car Metal Molded Power inductor
- ③ Core Size (unit:mm)
- ④ Type
- ⑤ Typical inductance value (0.22uH)
- ⑥ Inductance tolerance ($\pm 20\%$)

Specifications

Part Number	Inductance (uH) $\pm 20\%$	DCR(mohm) Max.(Typ.)	Isat(A) Max.(Typ.)	Itemp(A) Max.(Typ.)	Test Frequency (Hz)
CMI-CMMP5018HL-R22M	0.22	4.8(4.0)	20.0(22.6)	17.9(20.0)	1M
CMI-CMMP5018HL-R33M	0.33	6.8(5.7)	18.0(20.1)	15.8(16.8)	1M
CMI-CMMP5018HL-R47M	0.47	8.5(7.6)	16.3(16.8)	10.5(11.6)	1M
CMI-CMMP5018HL-R68M	0.68	13.8(12)	11.8(13.7)	8.4(9.5)	1M
CMI-CMMP5018HL-1R0M	1.0	17(15)	9.0(10.5)	7.9(8.9)	1M
CMI-CMMP5018HL-1R5M	1.5	28(23)	7.6(9.5)	5.8(6.5)	1M
CMI-CMMP5018HL-2R2M	2.2	35(30)	6.3(7.4)	4.9(5.5)	1M
CMI-CMMP5018HL-3R3M	3.3	50(42.8)	5.0(5.8)	4.7(4.9)	1M
CMI-CMMP5018HL-4R7M	4.7	77(66.5)	4.1(4.7)	3.4(3.7)	1M
CMI-CMMP5018HL-6R8M	6.8	119(98)	3.6(3.8)	2.7(3.1)	1M
CMI-CMMP5018HL-100M	10	146(132)	2.9(3.5)	2.4(2.6)	1M

- Isat: When based on the inductance change rate (Approximately 30% below in the initial value)
- Itemp: When based on the temperature increase (Temperature increase of approximately 40°C by self heating)
- Operating Temperature Range (including self temperature) : -40°C ~ +150 °c

Note 1 : Circuit design, component placement, PCB trace size and thickness, airflow and other cooling. Provision all affect the part Temperature. Part temperature should be verified in the end application.

▪ **You can also contact us by e-mail : coilmaster@coilmaster.com**

- All specifications are subject to change without notice.
- Update date : 2023.05.25

www.coilmaster.com

Packaging

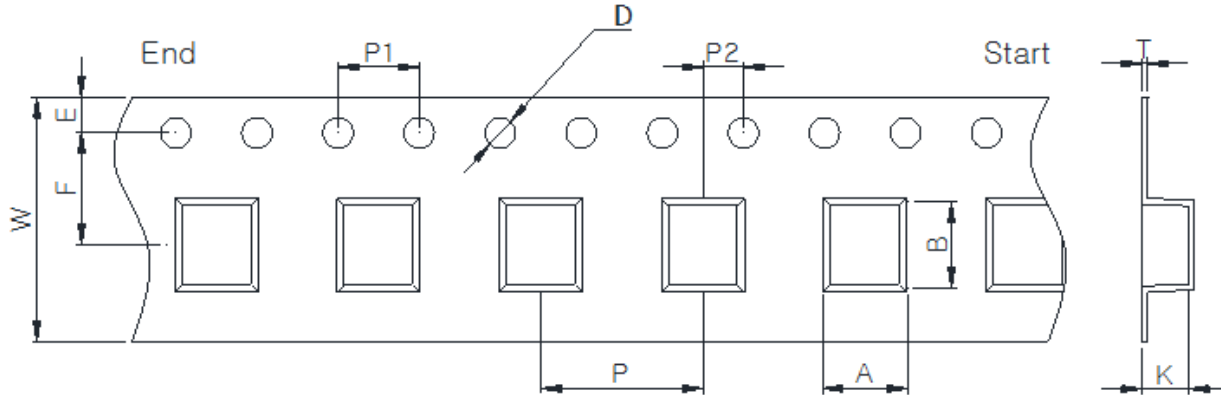
(1) Package quantity : 3,500 (pcs/reel)

(2) Reel Dimensions (unit:mm)



A	B	C	D	E	F	G
12.50	100.0	2.00	330.0	1.90	21.00	13.00
+1.00	+1.50	+0.10	+1.00	+0.40	+0.40	+0.40
-1.00	-1.50	-0.10	-1.00	-0.40	-0.40	-0.40

(3) Tape Dimensions



W	A	B	K	E	F	P	P1	P2	D	T
12.00	5.50	5.70	2.20	1.75	5.50	8.00	4.00	2.00	1.50	0.30
+0.30	+0.10	+0.10	+0.10	+0.10	+0.10	+0.10	+0.10	+0.10	+0.10	+0.05
-0.10	-0.10	-0.10	-0.10	-0.10	-0.10	-0.10	-0.10	-0.10	-0.00	-0.05

Korea Sales Office (KOREA) +82)31-904-1444
 China Sales Office (CHINA) +86)0758-683-1444
 Hungary Sales office (EUROPE) +36)1-404-5832

H.K Sales Office (HONGKONG) +852)2711-5551
 LA Sales Office (USA) +1)714-616-6989

• You can also contact us by e-mail : coilmaster@coilmaster.com

- All specifications are subject to change without notice.
- Update date : 2023.05.25

www.coilmaster.com