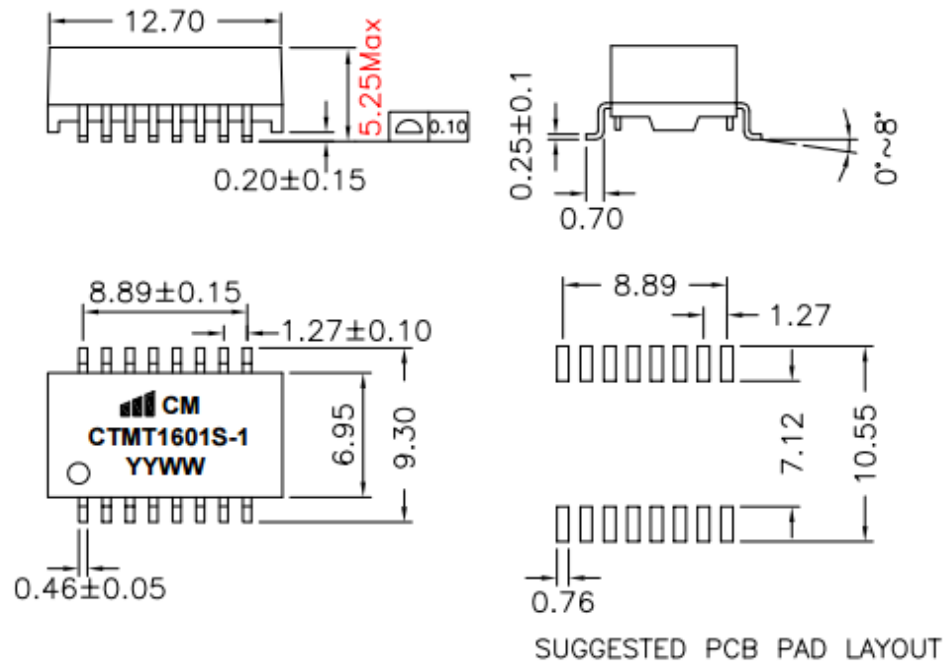


10/100 BASE-T SINGLE PORT SMD TRANSFORMER MODULE

RoHS Compliant

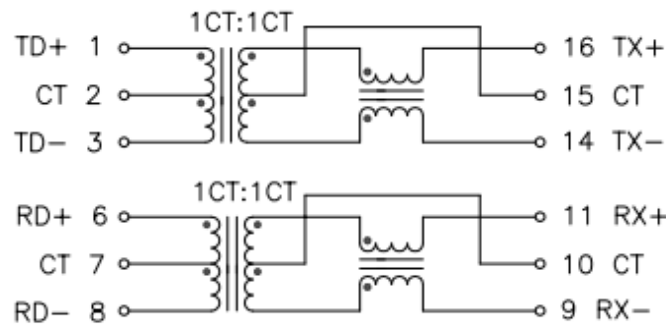
Mechanicals:



Electrical Specifications: @25°C

- Isolation Voltage: 1500 Vrms (INPUT to OUTPUT)
- Turns Ratio: (1-2-3):(16-15-14)=1CT:1CT ±2%
- Turns Ratio: (6-7-8):(11-10-9)=1CT:1CT ±2%
- OCL: 350uH Minimum @100KHz 100mV,8mADC
- Cw/w: 20pF Typical @100KHz 100mV
- DCR:PIN1-3,PIN6-8 0.9ohms Maximum
- DCR:PIN16-14,PIN11-9 1.2ohms Maximum
- Leakage Inductance: 0.4uH Max @100KHz 100mV
- Inserion Loss: -1.1dB Maximum @0.1MHz ~ 100MHz
- Return Loss: -18dB @5-30MHz
 - 15.5dB Min @40MHz
 - 13.6dB Min @50MHz
 - 12.0dB Min @60MHz-80MHz
- DCMR: -40dB Minimum @30MHz
 - 35dB Minimum @50MHz
 - 30dB Minimum @100MHz
- Crosstalk: -38dB Minimum @30MHz/ -35dB Minimum @60MHz
 - 30dB Minimum @100MHz

Schematics:



www.coilmaster.com

Modify Note:
1.Original

*Specification Subject to Change Without Notice

