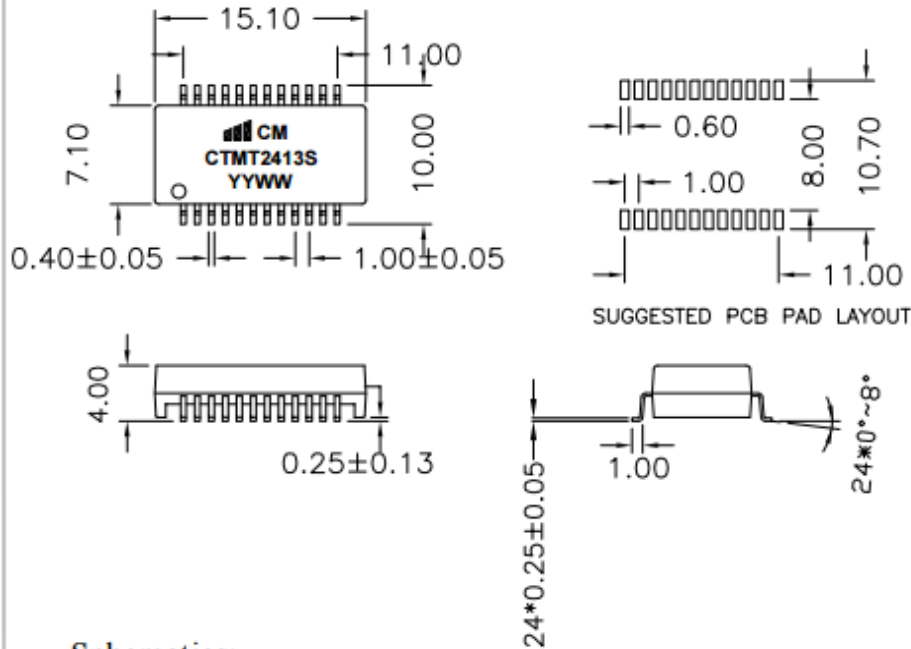
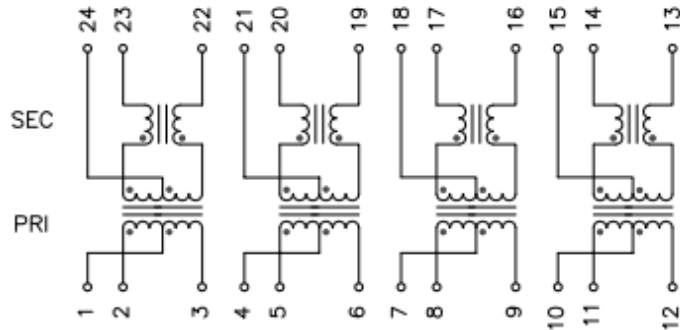


# 24PIN SMD 1000BASE-TX TRANSFORMER MODULE

## Mechanicals:



## Schematics:



## Electrical Specifications: @25°C

Developed for "Lead Free Manufacturing Process"  
 Isolation Voltage: 1500 Vrms 0.5mA 1Second (PRI to SEC)  
 Turns Ratio: PRI/SEC 1CT:1CT ±3%  
 OCL: 350uH Minimum @100KHz 100mV 8mADC  
 (P2-3,P5-6,P8-9,P11-12)  
 Leakage Inductance:0.4uH Max @100KHz 100mV  
 P13-14(Shorted P12-11) , P16-17(Shorted P9-8)  
 P19-20(Shorted P6-5) , P22-23(Shorted P3-2)  
 CW/W: 20pF Typ @100KHz 100mV  
 (P2-23,P5-20,P8-17,P11-14)  
 Insertion Loss: -1.0dB Maximum(100KHz~100MHz)  
 Return Loss: -18dB Minimum @1MHz ~ 30MHz  
 -12dB Minimum @30MHz-80MHz  
 -10dB Minimum @100MHz  
 CMRR: -35dB Min.@30-100MHz  
 Crosstalk: -40dB Typ.@1-100MHz

RoHS Compliant

[www.coilmaster.com](http://www.coilmaster.com)

Modify Note:  
1.Original

\*Specification Subject to Change Without Notice

