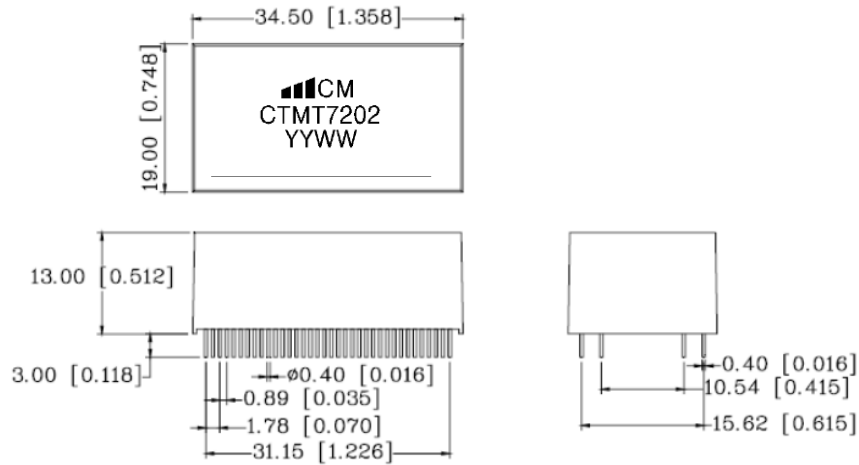


1G TRANSFORMER MODULES

RoHS Compliant

Mechanicals:

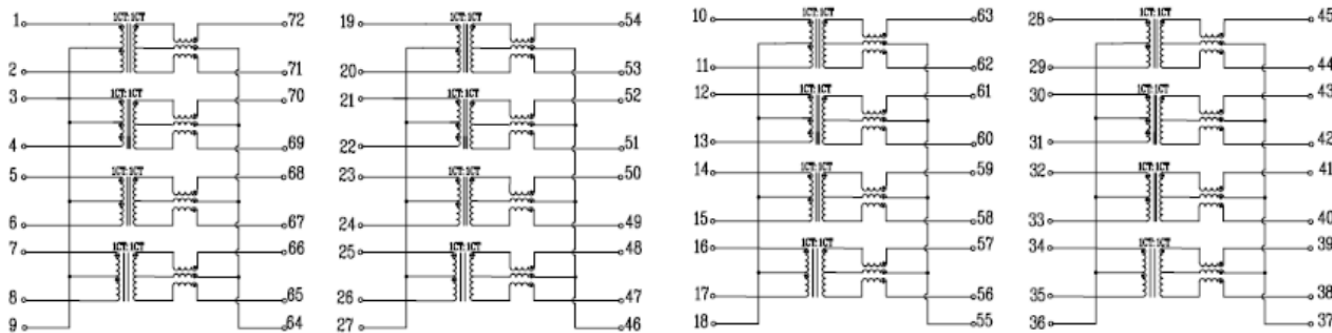


Units: mm [Inches] Tolerances: xx.x0±0.25 [0.010]
0.xx±0.05 [0.002]

Electrical Specifications: @25°C

- OCL : 350 uH Min. @ 100 kHz, 0.1 V with 8 mA DC Bias
- Turns Ratio (±5%) : 1CT:1CT(TX), 1CT:1CT(RX)
- Insertion Loss : -1.0 dB Max. @ 1-100 MHz
- Return Loss : -18 dB Min. @ 1-30 MHz
 - 14.4 dB Min. @ 40MHz
 - 13.1 dB Min. @ 50MHz
 - 12 dB Min. @ 60-80 MHz
 - 10 dB Min. @ 100 MHz
- DCMR : -40 dB Min. @ 30 MHz
 - 35 dB Min. @ 60 MHz
 - 30 dB Min. @ 100 MHz
- Isolation HI-POT : 1500 Vrms, 1mA, 1 Second

Schematics:



*Specification Subject to Change Without Notice

www.coilmaster.com

Modify Note:
1.Original

