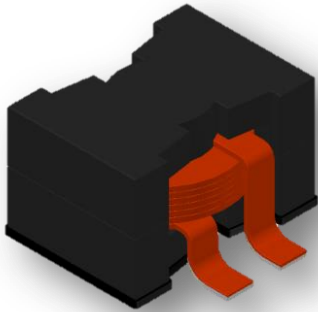


CMI-CPQ2915LD-SERIES



Picture



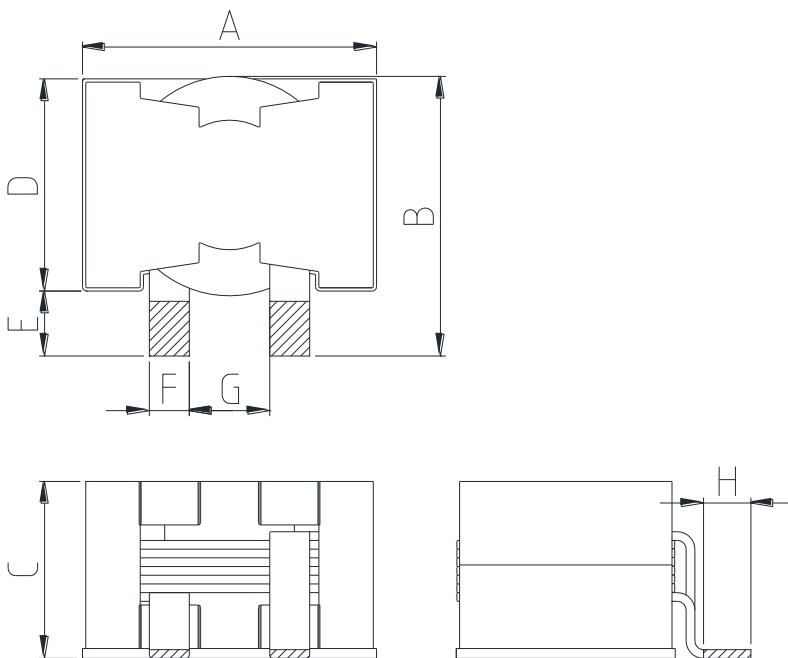
Features

- ▶ Magnetically shielded
- ▶ High current and low profile.
- ▶ Flat wire wound
- ▶ Extra solder pad for increased mechanical stability
- ▶ RoHS compliant
- ▶ AEC-Q200 qualified.

Applications

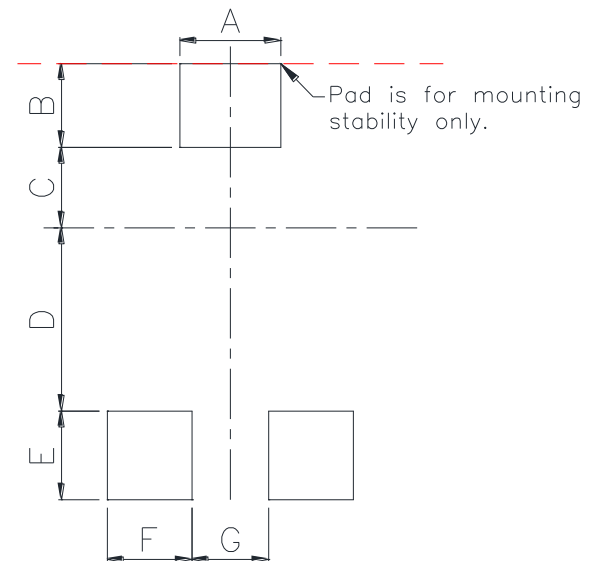
- ▶ Equipment using for automobiles (ECM, Airbags, Headlights, Electronic Power Steering, Motors, ABS, other)

Dimension (Unit:mm)



A	B	C	D	E
27.9 Max.	27.94 Max.	15.36 Max	19.8 Max	6.90 ref.
F	G	H	I	
3.80 ref.	6.63±0.51	6.90±0.5	3.80 Min.	

Land Pattern (Unit:mm)



A	B	C	D
6.35	5.28	5.08	11.56
E	F	G	
5.59	5.33	4.82	

- You can also contact us by e-mail : coilmaster@coilmaster.com
- All specifications are subject to change without notice.
- Update date : 2018.04.30

Specifications

► LD type (Low DCR)

Part No.	Inductance (μ H) $\pm 10\%$	DCR (m Ω) Max.(Typ.)	Isat (A)			Itemp (A)		SRF (MHz) Typ.
			10% drop	20% drop	30% drop	20 °C rise	40 °C rise	
CMI-CPQ2915LD-1R5K	1.5	1.65(1.50)	100.0	>100.0	>100	20	30	60
CMI-CPQ2915LD-2R2K	2.2	1.65(1.50)	82.0	84.0	84.8	20	30	50
CMI-CPQ2915LD-3R3K	3.3	1.65(1.50)	48.0	54.0	57.0	20	30	40
CMI-CPQ2915LD-4R7K	4.7	1.65(1.50)	33.0	36.9	39.0	20	30	30
CMI-CPQ2915LD-6R8K	6.8	1.65(1.50)	22.0	26.0	27.8	20	30	25
CMI-CPQ2915LD-100K	10	1.65(1.50)	13.0	16.2	17.6	20	30	20
CMI-CPQ2915LD-150K	15	1.65(1.50)	7.5	9.8	11.0	20	30	15
CMI-CPQ2915LD-220K	22	1.65(1.50)	4.5	6.0	6.8	20	30	10
CMI-CPQ2915LD-330K	33	1.65(1.50)	2.0	2.6	3.3	20	30	7

- Inductance measured at 500kHz, 0.1Vrms
- Isat1 : DC current at 25°C that causes the specified inductance drop from its value without current.
When Isat rating is less than Itemp, Isat is the more critical specification.
- Itemp : Current that causes the specified temperature rise from 25°C ambient. This information is for reference only and does not represent absolute maximum ratings.
- Ambient temperature -40°C to +85°C with (40°C rise) Itemp current.
- Maximum part temperature +125°C (ambient + temp rise). Derating.
- Storage temperature Component: -40°C to +125°C.

Ilisan Sales Office (KOREA) +82)31-904-1444
 Shenzhen Sales Office (CHINA) +86)755-8663-6929
 Hungary Sales office (EUROPE) +36)30-913-7706

H.K Sales Office (HONGKONG) +852)2711-5551
 LA Sales Office (USA) +1)866-446-3586

• You can also contact us by e-mail : coilmaster@coilmaster.com

- All specifications are subject to change without notice.
- Update date : 2018.04.30

www.coilmaster.com