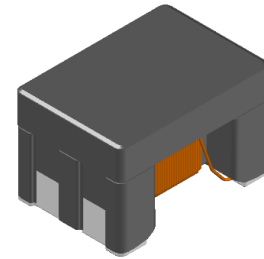


CME-CSCF4532B-A SERIES

Features

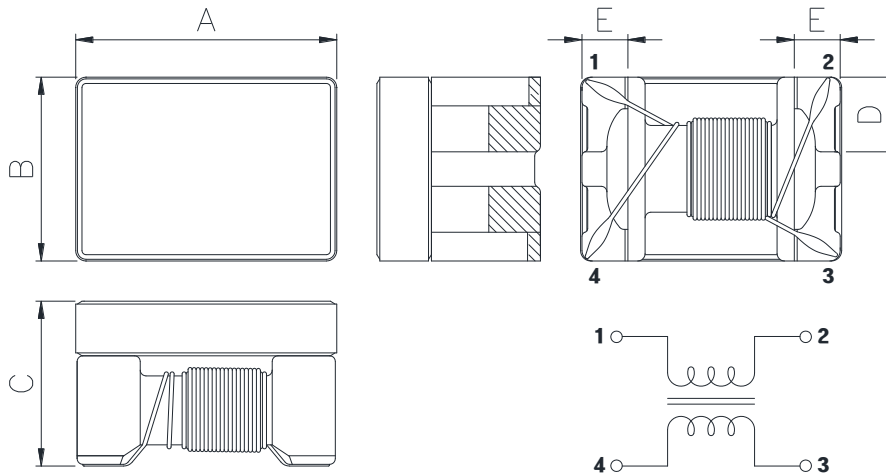
- ▶ High common mode impedance at high frequency effects excellent noise suppression performance.
- ▶ Realizes small size and low profile.
- ▶ Halogen-Free.
- ▶ RoHS compliant.
- ▶ AEC-Q200 qualified.



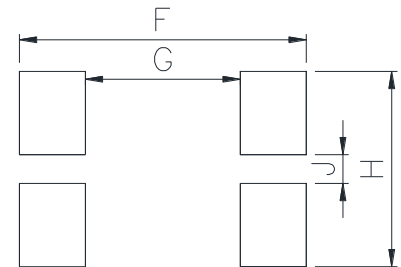
Applications

- ▶ CAN-BUS, FAXs, modems, ISDNs, etc.

Dimension (Unit:mm)

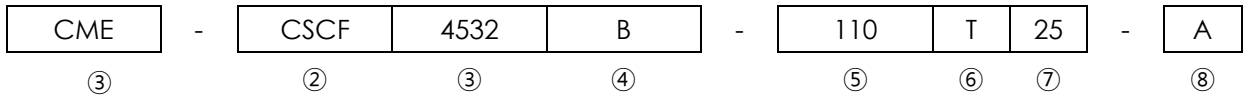


Land Pattern (Unit:mm)



A	B	C	D	E	F	G	H	J
4.5 ±0.2	3.2 ±0.2	2.8 ±0.2	1.3 ±0.2	0.8±0.2	5.0	2.7	3.4	0.5

Regulation of part number



- ① CoilMaster's initial
- ② Series Name : Car Signal line Common mode Filter
- ③ Core Size (unit:mm)
- ④ Type
- ⑤ Common mode inductance value (11uH)
- ⑥ Packing type
- ⑦ Rated Current
- ⑧ Revision

Specifications

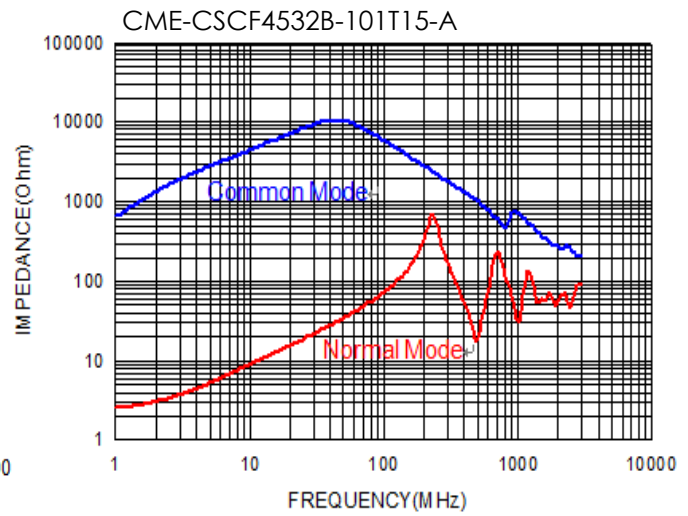
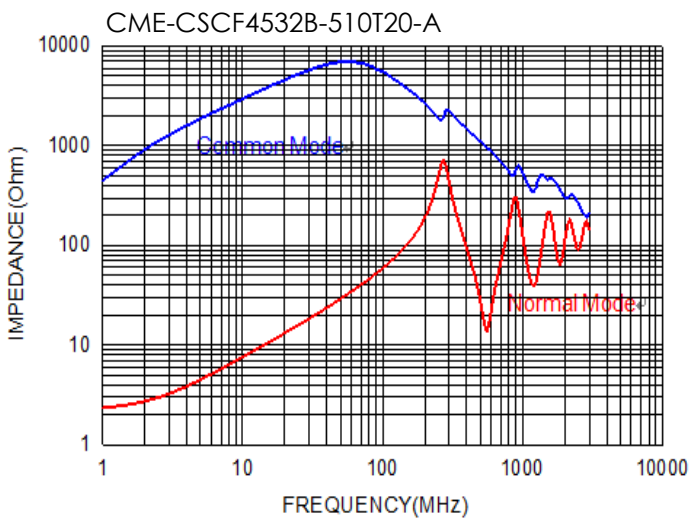
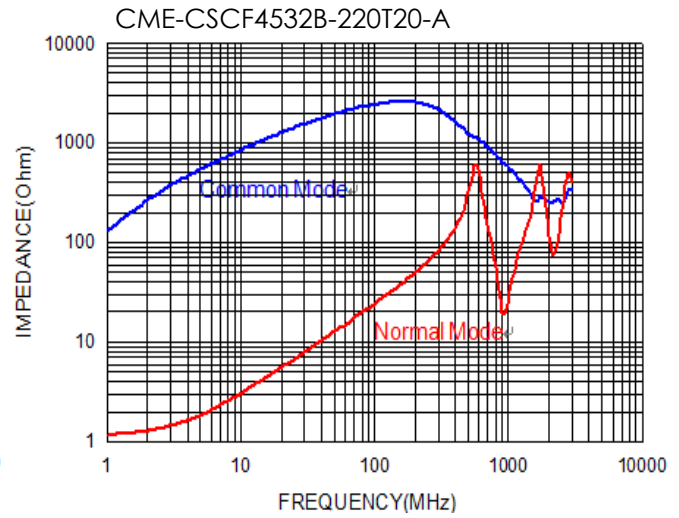
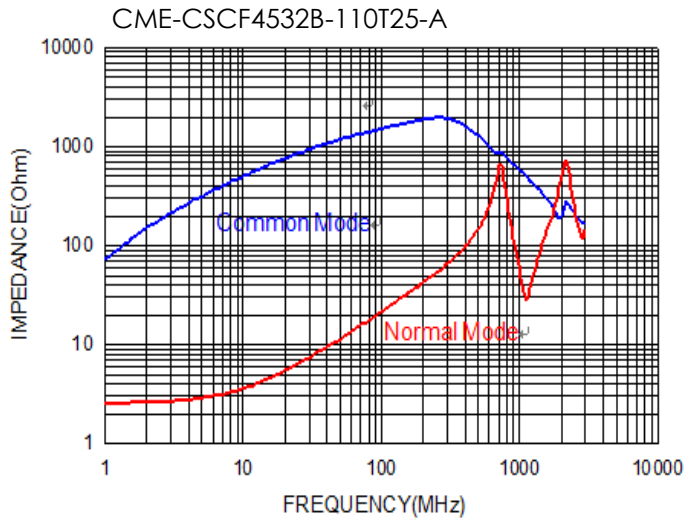
Part Number	Inductance (μH)	Impedance (Ω) Min.(Typ.)	DCR (Ω) Max.	IDC1 (mA) Max.	Insulation Resistance (MΩ) Min.	Rated Voltage (V) Max.
CME-CSCF4532B-110T25-A	11	300(600)	0.6	360	10	50
CME-CSCF4532B-220T20-A	22	500(1200)	1.0	310	10	50
CME-CSCF4532B-510T20-A	51	1000(2800)	1.0	230	10	50
CME-CSCF4532B-101T15-A	100	2000(5800)	2.0	150	10	50

- Inductance test condition : 100 kHz (L tolerance+50/-30%)
- Impedance test condition : 10 MHz
- Operating Temperature Range : -40°C ~ +150 °C

Note 1 : Circuit design, component placement, PCB trace size and thickness, airflow and other cooling. Provision all affect the part Temperature. Part temperature should be verified in the end application.

- **You can also contact us by e-mail : coilmaster@coilmaster.com**
- All specifications are subject to change without notice.
- Update date : 2023.11.07

Impedance VS Frequency characteristics

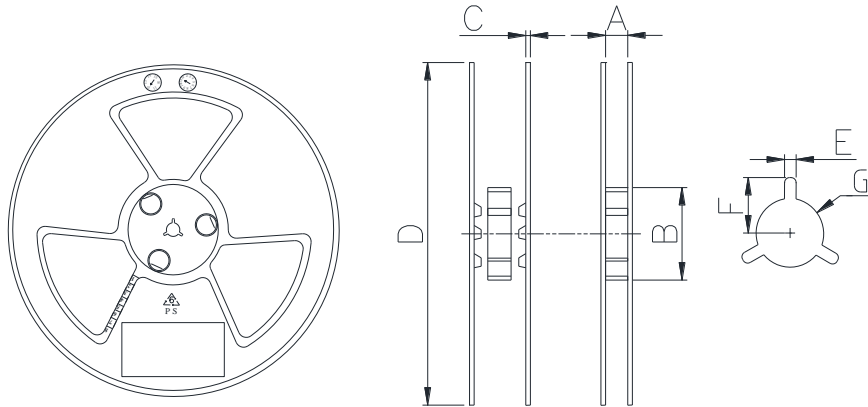


- You can also contact us by e-mail : coilmaster@coilmaster.com
- All specifications are subject to change without notice.
- Update date : 2023.11.07

Packaging

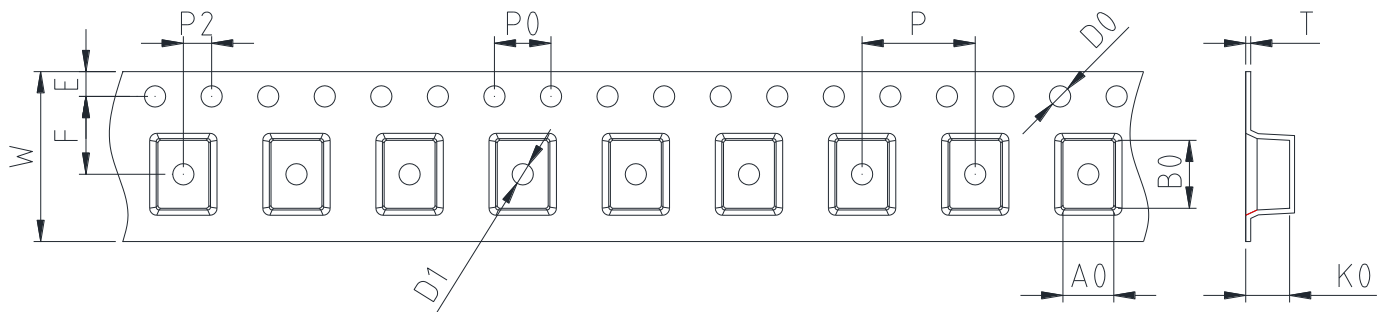
(1) Package quantity : 2,500 (pcs/reel)

(2) Reel Dimensions (unit:mm)



A	B	C	D	E	F
12.50	100.0	2.30	330.0	2.30	10.75
+0.50	+1.00	+0.20	+3.00	+0.30	+0.30
-0.50	-1.00	-0.20	-3.00	-0.30	-0.30

(3) Tape Dimensions



W	A0	B0	K0	E	F	P	P0	P2	D0/D1	T
12.00	3.60	4.80	3.10	1.75	5.50	8.00	4.00	2.00	1.50	0.35
+0.30	+0.10	+0.10	+0.10	+0.10	+0.10	+0.10	+0.10	+0.10	+0.10	+0.05
-0.10	-0.10	-0.10	-0.10	-0.10	-0.10	-0.10	-0.10	-0.10	-0.00	-0.05

Korea Sales Office (KOREA) +82)31-904-1444
 China Sales Office (CHINA) +86)0758-683-1444
 Hungary Sales office (EUROPE) +36)1-404-5832

H.K Sales Office (HONGKONG) +852)2711-5551
 LA Sales Office (USA) +1)714-616-6989

• You can also contact us by e-mail : coilmaster@coilmaster.com

- All specifications are subject to change without notice.
- Update date : 2023.11.07

www.coilmaster.com