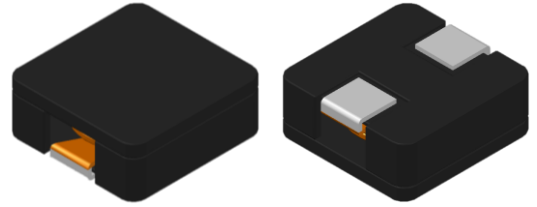




CMI-CSSMF2201 20MH-SERIES

Features

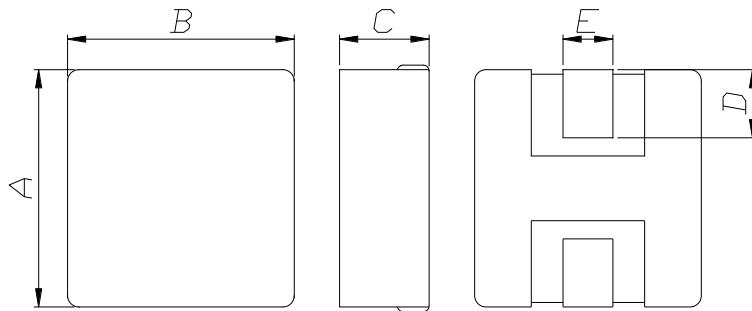
- ▶ High current and low profile/ Low DC resistance
- ▶ Magnetic shielding for high-density packaging
- ▶ Available tape and reel for auto insertion.
- ▶ Halogen-Free / RoHS compliant.
- ▶ AEC-Q200 qualified.



Applications

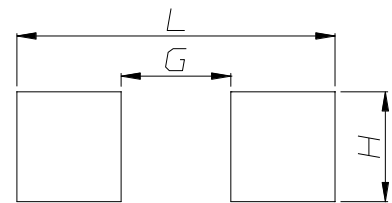
- ▶ Equipment using for automobile (ECM, Airbags, Headlights, Electronic Power Steering, Motors, ABS, other)
- Soft saturation makes them ideal for VRD/VRM applications

Dimension (Unit:mm)



Value	A	B	C	D	E
3R3~330	22.5±1.0	22.0±0.5	12.0±0.4	5.0±0.5	4.0±0.3
390~560					3.5±0.3
680~101					3.2±0.3

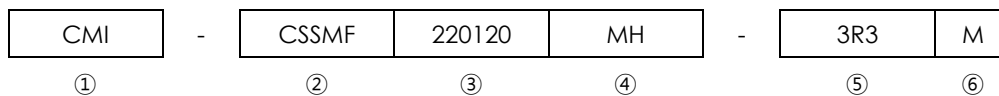
Land Pattern (Unit:mm)



L	G	H
20.0	8.0	5.0

- You can also contact us by e-mail : coilmaster@coilmaster.com
- All specifications are subject to change without notice.
- Update date : 2021.09.02

Regulation of part number



- ① CoilMaster's initial
- ② Series Name : Car Metal material Square Shield Flat wire type Power inductor
- ③ Core Size (unit:mm)
- ④ Material
- ⑤ Typical inductance value (3.3uH)
- ⑥ Inductance tolerance ($\pm 20\%$)

Specifications

Part Number	Inductance (uH) $\pm 20\%$	DCR(mohm) Max.(Typ.)	Isat(A) Typ.	Irms(A) Typ.	Test Frequency (Hz)
CMI-CSSMF220120MH-3R3M	3.3	1.20(1.03)	50.00	32.00	100k
CMI-CSSMF220120MH-4R7M	4.7	1.75(1.52)	42.00	30.00	100k
CMI-CSSMF220120MH-6R8M	6.8	2.70(2.33)	38.00	26.00	100k
CMI-CSSMF220120MH-8R2M	8.2	3.20(2.78)	34.00	24.00	100k
CMI-CSSMF220120MH-100M	10.0	3.88(3.37)	31.00	21.00	100k
CMI-CSSMF220120MH-120M	12.0	4.80(4.17)	28.00	19.50	100k
CMI-CSSMF220120MH-150M	15.0	5.45(4.73)	26.00	18.00	100k
CMI-CSSMF220120MH-220M	22.0	8.25(7.15)	21.00	15.00	100k
CMI-CSSMF220120MH-330M	33.0	13.50(11.60)	18.00	11.50	100k
CMI-CSSMF220120MH-390M	39.0	19.80(17.20)	16.00	9.50	100k
CMI-CSSMF220120MH-470M	47.0	21.40(18.60)	15.00	9.00	100k
CMI-CSSMF220120MH-560M	56.0	23.30(20.20)	13.00	8.20	100k
CMI-CSSMF220120MH-680M	68.0	30.30(26.30)	12.50	7.50	100k
CMI-CSSMF220120MH-820M	82.0	33.70(29.30)	10.00	7.00	100k
CMI-CSSMF220120MH-101M	100.0	40.80(35.50)	9.00	6.10	100k

- Isat: When based on the inductance change rate (approximately 30% below in the initial value)
- Irms: When based on the temperature increase (Temperature increase of approximately 50°C by self heating)
- Operating Temperature Range(including self temperature) : -40°C ~ +165 °C

Note 1 : Circuit design, component placement, PCB trace size and thickness, airflow and other cooling. Provision all affect the part Temperature. Part temperature should be verified in the end application.

▪ **You can also contact us by e-mail : coilmaster@coilmaster.com**

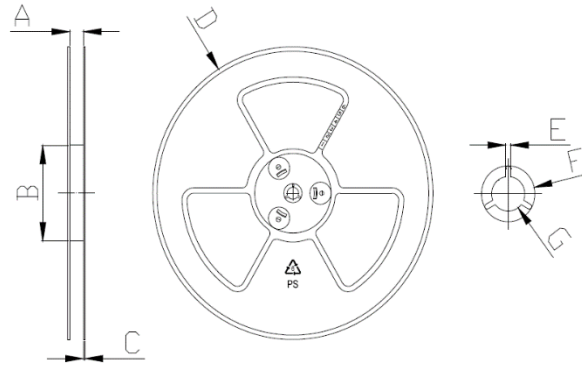
- All specifications are subject to change without notice.
- Update date : 2021.09.02

www.coilmaster.com

Packaging

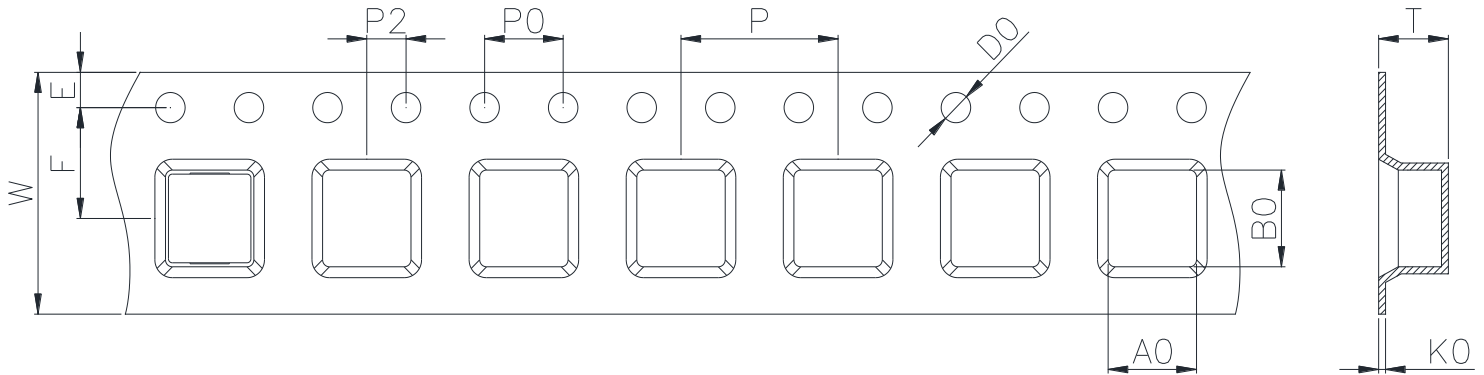
(1) Package quantity : 120 (pcs/reel)

(2) Reel Dimensions (unit:mm)



A	B	C	D	E	F	G
44.50	100.0	2.30	330.0	2.30	21.50	13.00
+1.50	+1.00	+0.20	+3.00	+0.30	+0.30	+0.50
-0.00	-1.00	-0.20	-3.00	-0.30	-0.30	-0.20

(3) Tape Dimensions



W	A0	B0	K0	E	F	P	P0	P2	D0/D1	T
44.00	23.50	23.50	13.10	1.75	20.20	32.00	4.00	2.00	1.50	0.50
+0.30	+0.10	+0.10	+0.10	+0.10	+0.10	+0.10	+0.10	+0.10	+0.05	+0.05
-0.30	-0.10	-0.10	-0.10	-0.10	-0.10	-0.10	-0.10	-0.10	-0.05	-0.05

Ilisan Sales Office (KOREA) +82)31-904-1444
 Shenzhen Sales Office (CHINA) +86)755-8663-6929
 Hungary Sales office (EUROPE) +36)30-913-7706

H.K Sales Office (HONGKONG) +852)2711-5551
 LA Sales Office (USA) +1)866-446-3586

• You can also contact us by e-mail : coilmaster@coilmaster.com

- All specifications are subject to change without notice.
- Update date : 2021.09.02

www.coilmaster.com