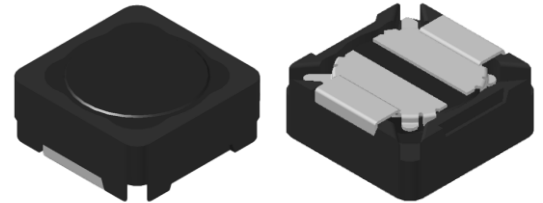


CMI-CSSP10040NF-SERIES

Features

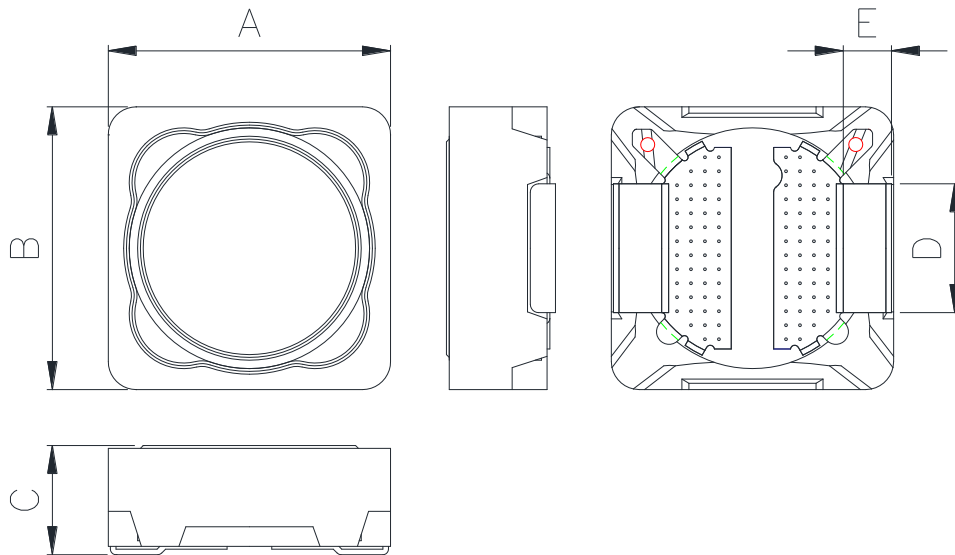
- ▶ Magnetic shield type wound inductor for power circuits.
- ▶ Available tape and reel for auto insertion
- ▶ RoHS compliant
- ▶ AEC-Q200 qualified



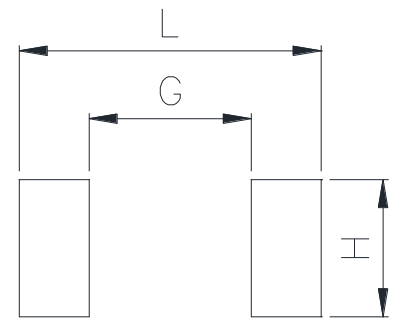
Applications

- ▶ Equipment using for automobiles
(ECM, Airbags, Headlights, Electronic Powder Steering, Motors, ABS, other)

Dimension (Unit:mm)

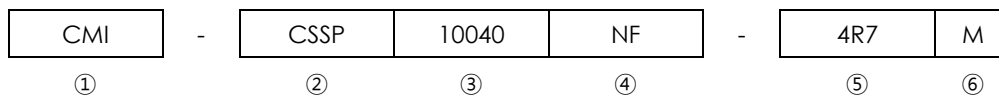


Land Pattern (Unit:mm)



| A | B | C | D | E | G | H | L |
|-----------|-----------|----------|----------|-----------|-----|-----|------|
| 10.0 ±0.3 | 10.0 ±0.3 | 4.0 Max. | 4.6 ±0.2 | 1.97 ±0.3 | 5.8 | 4.9 | 10.8 |

Regulation of part number



- ① CoilMaster's initial
- ② Series Name : Car Shielded core Square shape Pin type Power Inductor
- ③ Core Size (unit:mm)
- ④ Type
- ⑤ Typical inductance value (4.7uH)
- ⑥ Inductance tolerance ($\pm 20\%$)

Specifications

| Part Number | Inductance (uH) | Tolerance (\pm) | DCR (mohm) Max.(Typ.) | Isat(A) Max.(Typ.) | Itemp(A) Max.(Typ.) | Test Frequency (Hz) |
|----------------------|-----------------|---------------------|-----------------------|--------------------|---------------------|---------------------|
| CMI-CSSP10040NF-4R7M | 4.7 | 20% | 28(23) | 6.20(6.50) | 6.50(6.70) | 100k |
| CMI-CSSP10040NF-6R8M | 6.8 | 20% | 32.4(27) | 5.00(5.30) | 5.40(5.80) | 100k |
| CMI-CSSP10040NF-100M | 10 | 20% | 38.4(32) | 4.60(4.80) | 5.10(5.50) | 100k |
| CMI-CSSP10040NF-150M | 15 | 20% | 60(50) | 3.80(3.90) | 4.20(4.50) | 100k |
| CMI-CSSP10040NF-220M | 22 | 20% | 78(65) | 3.10(3.30) | 3.50(3.70) | 100k |
| CMI-CSSP10040NF-330M | 33 | 20% | 114(95) | 2.50(2.60) | 2.80(3.00) | 100k |
| CMI-CSSP10040NF-470M | 47 | 20% | 146(122) | 2.20(2.25) | 2.60(2.80) | 100k |
| CMI-CSSP10040NF-680M | 68 | 20% | 216(180) | 1.75(1.85) | 2.20(2.40) | 100k |
| CMI-CSSP10040NF-101M | 100 | 20% | 336(280) | 1.40(1.45) | 1.50(1.60) | 100k |
| CMI-CSSP10040NF-121M | 120 | 20% | 672(560) | 0.95(1.00) | 1.30(1.45) | 100k |
| | | | | | | |
| | | | | | | |
| | | | | | | |
| | | | | | | |

- Isat: When based on the inductance change rate (Approximately 30% below in the initial value)
- Itemp: When based on the temperature increase (Temperature increase of approximately 40°C by self heating)
- Operating Temperature Range (including self temperature) : -40°C ~ +165 °c

Note 1 : Circuit design, component placement, PCB trace size and thickness, airflow and other cooling. Provision all affect the part Temperature. Part temperature should be verified in the end application.

▪ **You can also contact us by e-mail : coilmaster@coilmaster.com**

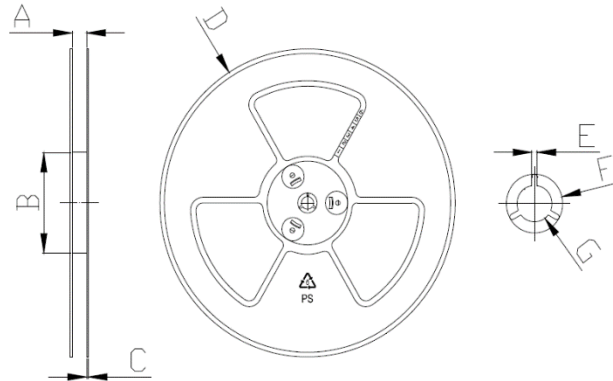
- All specifications are subject to change without notice.
- Update date : 2022.04.14

www.coilmaster.com

Packaging

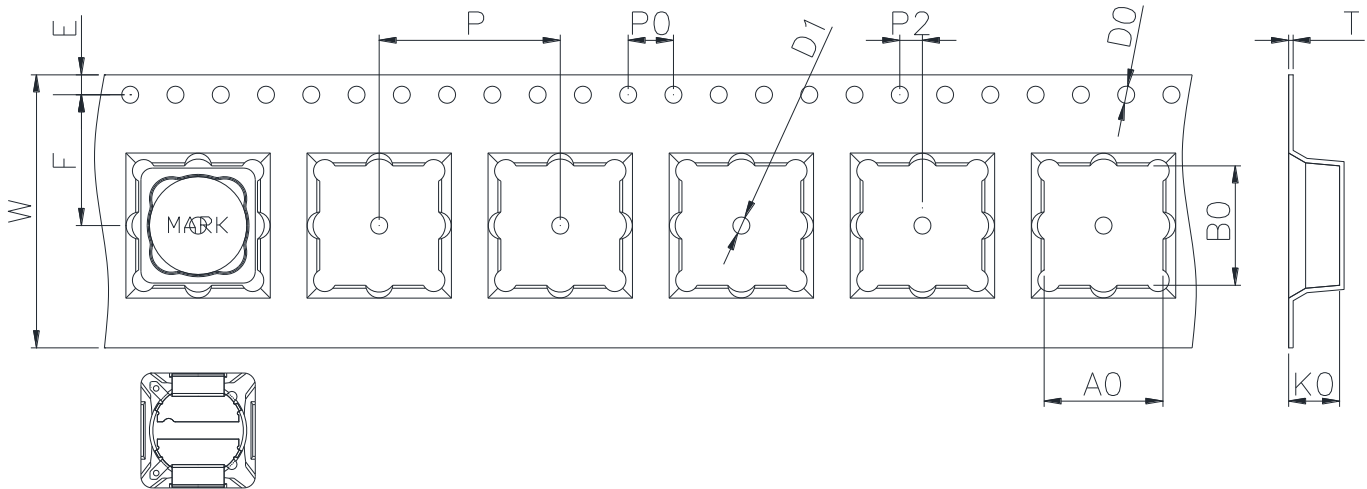
(1) Package quantity : 600 (pcs/reel)

(2) Reel Dimensions (unit:mm)



| A | B | C | D | E | F | G |
|-------|-------|-------|-------|-------|-------|-------|
| 24.50 | 100.0 | 2.00 | 330.0 | 2.30 | 21.50 | 13.00 |
| +0.50 | +1.00 | +0.10 | +3.00 | +0.30 | +0.30 | +0.50 |
| -0.50 | -1.00 | -0.10 | -3.00 | -0.30 | -0.30 | -0.20 |

(3) Tape Dimensions



| W | A0 | B0 | K0 | E | F | P | P0 | P2 | D0/D1 | T |
|-------|-------|-------|-------|-------|-------|-------|-------|-------|-------|-------|
| 24.00 | 10.50 | 10.50 | 4.40 | 1.75 | 11.50 | 16.00 | 4.00 | 2.00 | 1.50 | 0.40 |
| +0.30 | +0.10 | +0.10 | +0.10 | +0.10 | +0.10 | +0.10 | +0.10 | +0.10 | +0.25 | +0.05 |
| -0.10 | -0.10 | -0.10 | -0.10 | -0.10 | -0.10 | -0.10 | -0.10 | -0.10 | -0.00 | -0.05 |

Korea Sales Office (KOREA) +82)31-904-1444
 China Sales Office (CHINA) +86)0758-683-1444
 Hungary Sales office (EUROPE) +36)1-404-5832

H.K Sales Office (HONGKONG) +852)2711-5551
 LA Sales Office (USA) +1)714-616-6989

• You can also contact us by e-mail : coilmaster@coilmaster.com

- All specifications are subject to change without notice.
- Update date : 2022.04.14

www.coilmaster.com