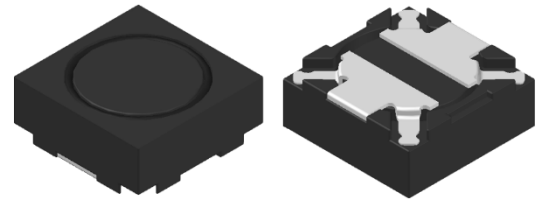


CMI-CSSP5020NF-SERIES

Features

- ▶ Low profile.
- ▶ Magnetic shield type wound inductor for power circuits.
- ▶ Available tape and reel for auto insertion
- ▶ RoHS compliant
- ▶ AEC-Q200 qualified

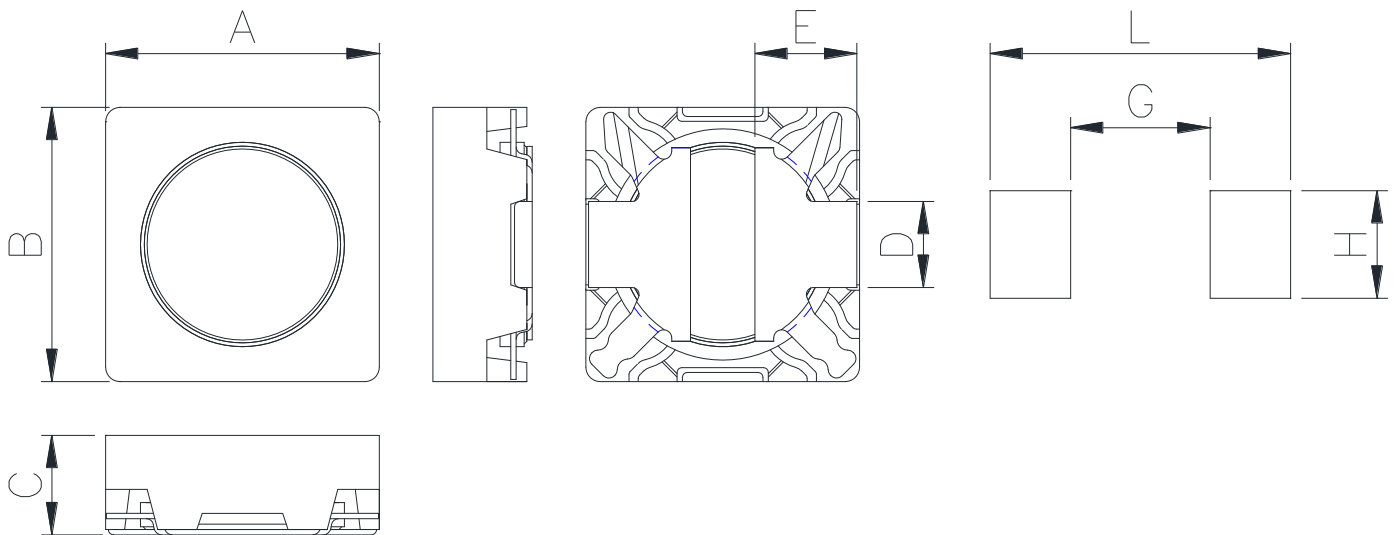


Applications

- ▶ Equipment using for automobiles
(ECM, Airbags, Headlights, Electronic Powder Steering, Motors, ABS, other)

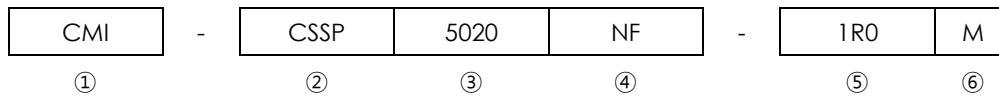
Dimension (Unit:mm)

Land Pattern (Unit:mm)



A	B	C	D	E	G	H	L
5.0 ±0.2	5.0 ±0.2	2.0 Max.	1.6 ±0.2	1.9 ±0.2	2.6	2.0	5.6

Regulation of part number



- ① CoilMaster's initial
- ② Series Name : Car Shielded core Square shape Pin type Power Inductor
- ③ Core Size (unit:mm)
- ④ Type
- ⑤ Typical inductance value (1.0uH)
- ⑥ Inductance tolerance ($\pm 20\%$)

Specifications

Part Number	Inductance (uH)	Tolerance (\pm)	DCR (mohm) Max.(Typ.)	Isat(A) Max.(Typ.)	Itemp(A) Max.(Typ.)	Test Frequency (Hz)
CMI-CSSP5020NH-1R0N	1.0	20%	35(29)	5.00(5.40)	4.10(4.40)	100k
CMI-CSSP5020NH-1R5N	1.5	20%	46(38)	4.30(4.70)	3.30(3.60)	100k
CMI-CSSP5020NH-2R2N	2.2	20%	59(49)	3.20(3.50)	2.80(3.00)	100k
CMI-CSSP5020NH-4R7N	4.7	20%	97(81)	2.30(2.50)	2.30(2.50)	100k
CMI-CSSP5020NH-6R8N	6.8	20%	143(119)	1.90(2.10)	1.70(1.90)	100k
CMI-CSSP5020NH-100M	10	20%	213(178)	1.60(1.80)	1.40(1.50)	100k
CMI-CSSP5020NH-220M	22	20%	437(364)	1.10(1.20)	1.00(1.10)	100k
CMI-CSSP5020NH-330M	33	20%	601(501)	0.91(1.00)	0.84(0.92)	100k
CMI-CSSP5020NH-470M	47	20%	915(763)	0.74(0.81)	0.68(0.75)	100k
CMI-CSSP5020NH-680M	68	20%	1358(1132)	0.63(0.69)	0.57(0.63)	100k
CMI-CSSP5020NH-101M	100	20%	1857(1548)	0.52(0.57)	0.46(0.51)	100k

- Isat: When based on the inductance change rate (Approximately 30% below in the initial value)
- Itemp: When based on the temperature increase (Temperature increase of approximately 40°C by self heating)
- Operating Temperature Range (including self temperature) : -40°C ~ +165 °c

Note 1 : Circuit design, component placement, PCB trace size and thickness, airflow and other cooling. Provision all affect the part Temperature. Part temperature should be verified in the end application.

• You can also contact us by e-mail : coilmaster@coilmaster.com

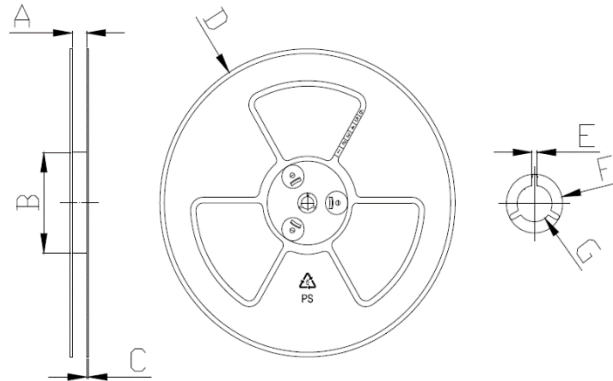
- All specifications are subject to change without notice.
- Update date : 2021.11.18

www.coilmaster.com

Packaging

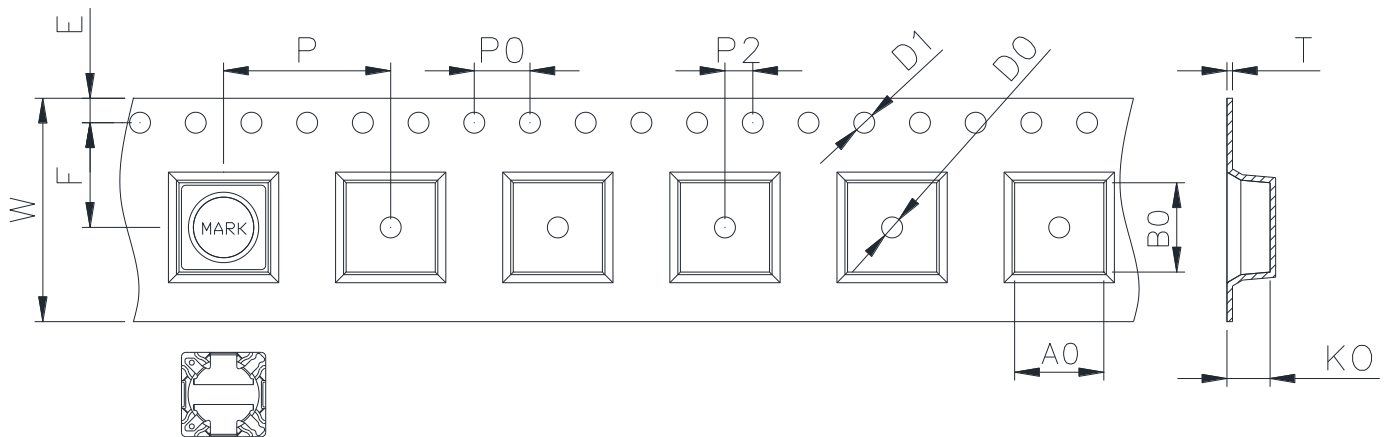
(1) Package quantity : 2,500 (pcs/reel)

(2) Reel Dimensions (unit:mm)



A	B	C	D	E	F	G
12.50	100.0	2.00	330.0	2.30	21.50	13.00
+0.50	+1.00	+0.10	+3.00	+0.30	+0.30	+0.50
-0.50	-1.00	-0.10	-3.00	-0.30	-0.30	-0.20

(3) Tape Dimensions



W	A0	B0	K0	E	F	P	P0	P2	D0/D1	T
12.00	5.40	5.45	2.40	1.75	5.50	8.00	4.00	2.00	1.50	0.30
+0.30	+0.10	+0.10	+0.10	+0.10	+0.10	+0.10	+0.10	+0.10	+0.10	+0.05
-0.30	-0.10	-0.10	-0.10	-0.10	-0.10	-0.10	-0.10	-0.10	-0.00	-0.05

Korea Sales Office (KOREA) +82)31-904-1444
 China Sales Office (CHINA) +86)0758-683-1444
 Hungary Sales office (EUROPE) +36)1-404-5832

H.K Sales Office (HONGKONG) +852)2711-5551
 LA Sales Office (USA) +1)714-616-6989

• You can also contact us by e-mail : coilmaster@coilmaster.com

- All specifications are subject to change without notice.
- Update date : 2021.11.18

www.coilmaster.com