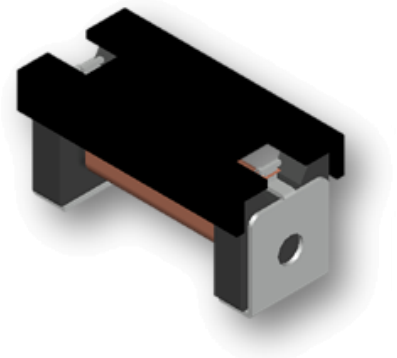




CTPC3225-SERIES

Features

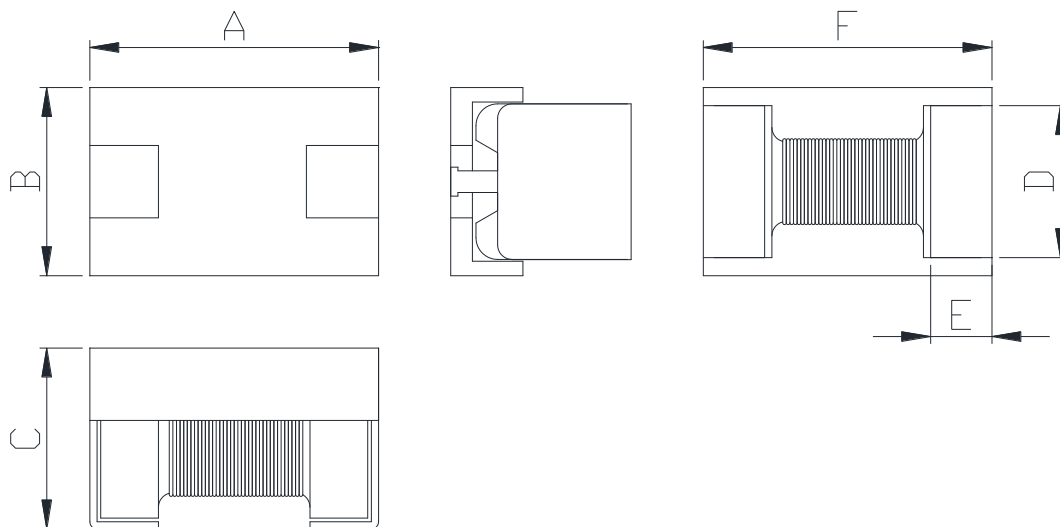
- ▶ High Sensitivity in X/Y orientation
- ▶ High Quality factor
- ▶ High reliability conforms to automotive applications
- ▶ AEC-Q200 qualified.
- ▶ RoHS-compatible



Applications

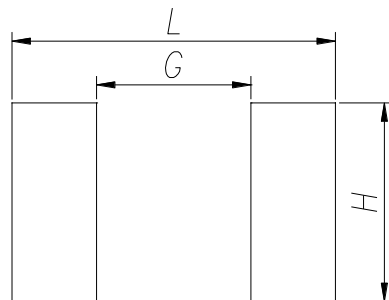
- ▶ Suitable as a Transponder Antenna Coil for TPMS (Tire Pressure Monitoring System) and Keyless Entry System

Dimension (Unit:mm)



A	B	C	D	E	F
3.8±0.2	2.6±0.2	2.5±0.3	2.1±0.2	0.85±0.2	3.8±0.2

Layout Diagram



L	G	H
4.4	2.1	2.7

- You can also contact us by e-mail : coilmaster@coilmaster.com
- All specifications are subject to change without notice.
- Update date : 2021.10.15

Specifications

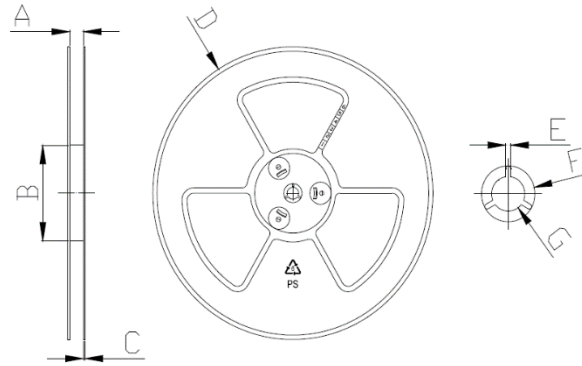
Part No.	L _R (μH)	L tolerance (±)	Q _{min}		R _{max} (Ω)	Test Frequency (Hz)
			Spec Min.	Test Data (AVE)		
CTPC3225-1081J	1080	5%	10	15.4	35	125k
CTPC3225-1340J	1340	5%	10	17.1	40	125k

- Operating Temperature Range(including self-temperature) : -40°C ~ +125 °C

Packaging

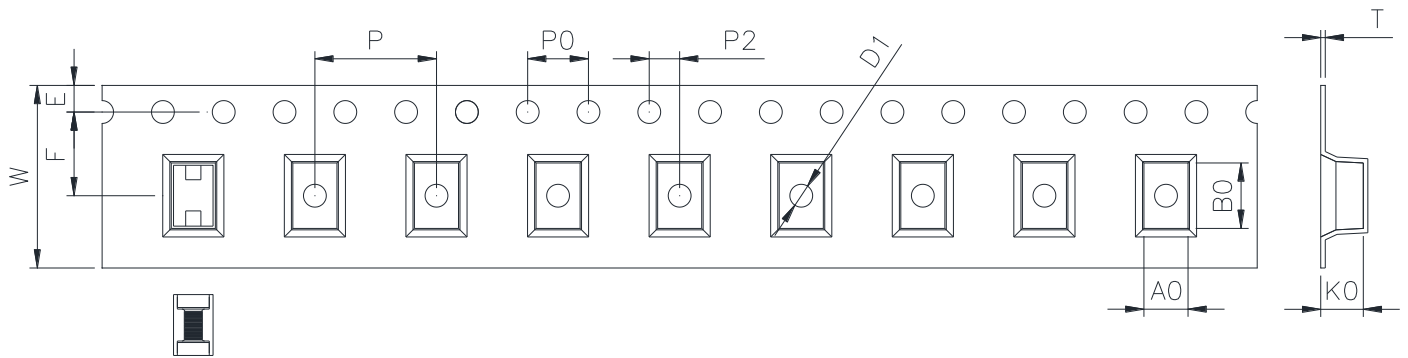
(1) Package quantity : 2,500 (pcs/reel)

(2) Reel Dimensions (unit:mm)



A	B	C	D	E	F	G
12.50	100.00	2.30	330.0	2.30	21.50	13.00
+0.50	+1.00	+0.10	+3.00	+0.30	+0.30	+0.50
-0.50	-1.00	-0.10	-3.00	-0.30	-0.30	-0.20

(3) Tape Dimensions



W	A0	B0	K0	E	F	P	P0	P2	D0/D1	T
12.00	2.90	4.30	2.80	1.75	5.50	8.00	4.00	2.00	1.50	0.30
+0.30	+0.10	+0.10	+0.10	+0.10	+0.10	+0.10	+0.10	+0.10	+0.10	+0.05
-0.10	-0.10	-0.10	-0.10	-0.10	-0.10	-0.10	-0.10	-0.10	-0.00	-0.05

Ilisan Sales Office (KOREA) +82)31-904-1444
 Shenzhen Sales Office (CHINA) +86)755-8663-6929
 Hungary Sales office (EUROPE) +36)30-913-7706

H.K Sales Office (HONGKONG) +852)2711-5551
 LA Sales Office (USA) +1)866-446-3586

• You can also contact us by e-mail : coilmaster@coilmaster.com

- All specifications are subject to change without notice.
- Update date : 2021.10.15

www.coilmaster.com