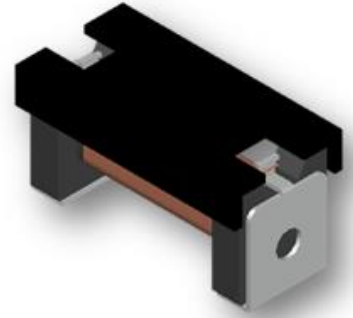




# CTPC5530-58911



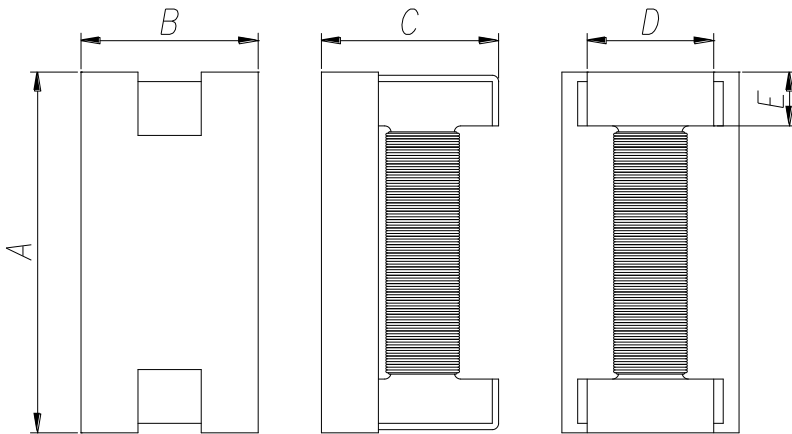
## Features

- ▶ High Sensitivity in X/Y orientation
- ▶ High Quality factor
- ▶ High reliability conforms to automotive applications
- ▶ AEC-Q200 qualified.
- ▶ RoHS-compatible

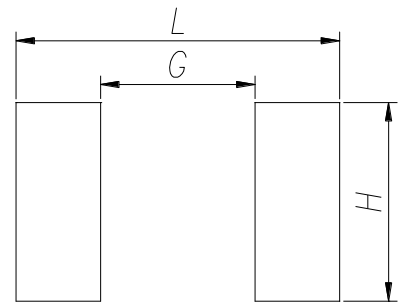
## Applications

- ▶ Suitable as a Transponder Antenna Coil for TPMS(Tire Pressure Monitoring System) and Keyless Entry System

Dimension (Unit:mm)



Schematic Diagram



A	B	C	D	E
5.85 max	3.15 max	3.1 max	2.0±0.2	0.85±0.2

L	G	H
6.25	3.75	3.1

## Specifications

Part No.	L <sub>R</sub> (μH)	L tolerance (±)	Q <sub>min</sub>	R <sub>max</sub> (Ω)	Test Frequency (Hz)
CTPC5530-58911	5890	3%	35	60	125k

- Operating Temperature Range (including self-temperature) : -40°C ~ +125 °C

Ilsan Sales Office (KOREA) +82)31-904-1444      H.K Sales Office (HONGKONG) +852)2711-5551  
 Shenzhen Sales Office (CHINA) +86)755-8663-6929      LA Sales Office (USA) +1)866-446-3586  
 Hungary Sales office (EUROPE) +36)30-913-7706

▪ You can also contact us by e-mail : [coilmaster@coilmaster.com](mailto:coilmaster@coilmaster.com)

- All specifications are subject to change without notice.
- Update date : 2019.11.14