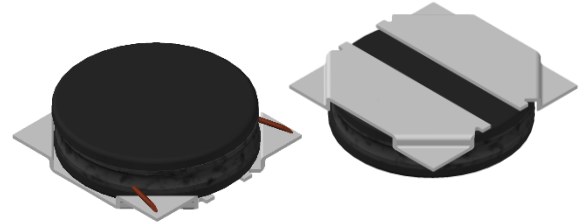


CMI-DOP4012NH-SERIES

Features

- ▶ Small and Low profile inductor.
- ▶ It corresponds to High current.
- ▶ Simple and Shield structure.
- ▶ Available tape and reel for auto insertion.
- ▶ RoHS compliant
- ▶ Halogen-Free

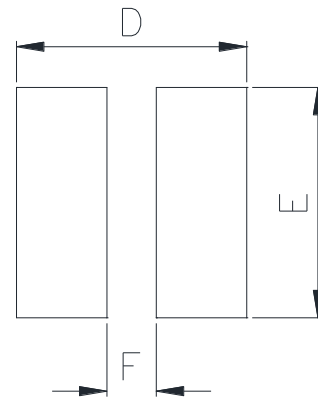
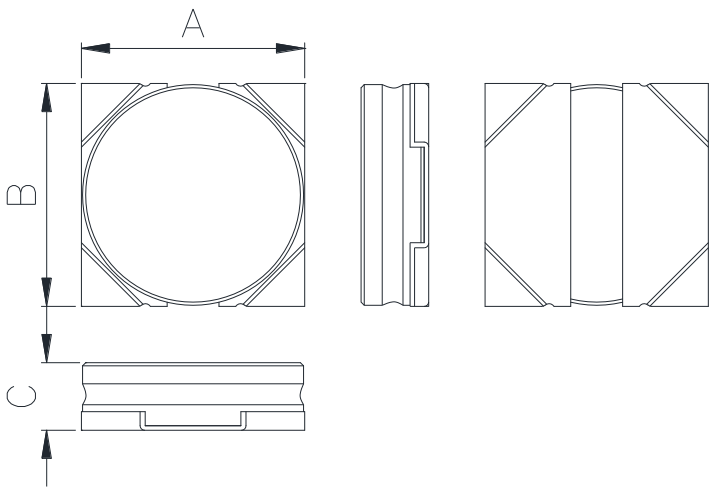


Applications

- ▶ For small DC/DC converter (cellular phone, LCD/LED/OLED display, HDD, DSC etc).

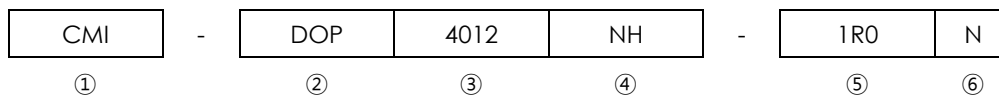
Dimension (Unit:mm)

Land Pattern (Unit:mm)



A	B	C	D	E	F
4.0 ±0.2	4.0 ±0.2	1.2 Max.	4.2	4.2	0.9

Regulation of part number



- ① CoilMaster's initial
- ② Series Name : Dream Of Power inductor
- ③ Core Size (unit:mm)
- ④ Type
- ⑤ Typical inductance value (1.0uH)
- ⑥ Inductance tolerance (±30%)

Specifications

Part Number	Inductance (uH)	Tolerance (±)	DCR (mohm) ±20%	Isat(A) Max.	Itemp(A) Max.	Test Frequency (Hz)
CMI-DOP4012NH-1R0N	1.0	30%	45	3.50	3.00	1M
CMI-DOP4012NH-2R2N	2.2	30%	85	2.50	2.00	1M
CMI-DOP4012NH-3R3N	3.3	30%	119	2.00	1.70	1M
CMI-DOP4012NH-4R7N	4.7	30%	160	1.70	1.20	1M
CMI-DOP4012NH-6R8N	6.8	30%	206	1.40	1.10	1M
CMI-DOP4012NH-100M	10	20%	350	1.20	0.99	1M
CMI-DOP4012NH-220M	22	20%	706	0.81	0.76	1M
CMI-DOP4012NH-330M	33	20%	1055	0.67	0.61	1M

- Isat: When based on the inductance change rate (approximately 30% below in the initial value)
- Itemp: When based on the temperature increase (Temperature increase of approximately 40°C by self heating)

Note 1 : Circuit design, component placement, PCB trace size and thickness, airflow and other cooling. Provision all affect the part Temperature. Part temperature should be verified in the end application

Korea Sales Office (KOREA)	+82)31-904-1444	H.K Sales Office (HONGKONG)	+852)2711-5551
China Sales Office (CHINA)	+86)0758-683-1444	LA Sales Office (USA)	+1)714-616-6989
Hungary Sales office (EUROPE)	+36)1-404-5832		

▪ **You can also contact us by e-mail : coilmaster@coilmaster.com**

- All specifications are subject to change without notice.
- Update date : 2015.11.09

www.coilmaster.com