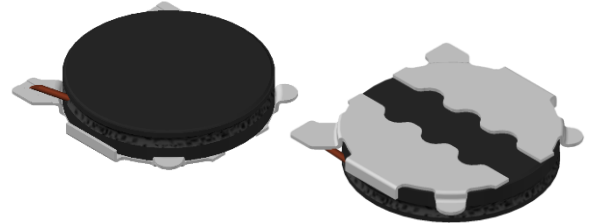


# CMI-DP6012NH-SERIES

## Features

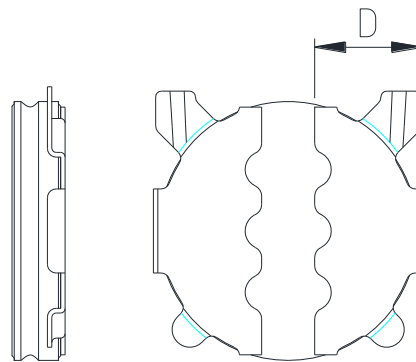
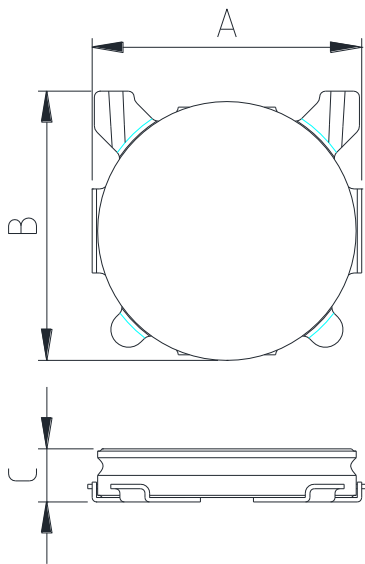
- ▶ SMD inductor.
- ▶ Resin shielded construction.
- ▶ Available tape and reel for auto insertion.
- ▶ RoHS compliant
- ▶ Halogen-Free



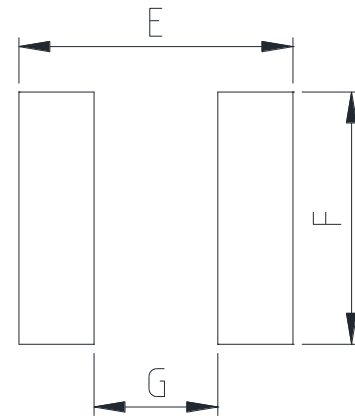
## Applications

- ▶ For small DC/DC converter (LCD/LED/OLED display, HDD, DSC etc).
- ▶ For Power supply circuits.

## Dimension (Unit:mm)

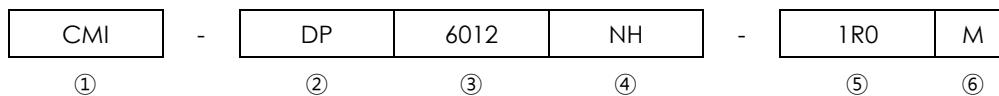


## Land Pattern (Unit:mm)



A	B	C	D	E	F	G
6.0 ±0.2	6.0 ±0.2	1.2 Max.	2.45 ±0.2	6.2	5.7	2.8

## Regulation of part number



- ① CoilMaster's initial
- ② Series Name : Drum core Pin type Power inductor
- ③ Core Size (unit:mm)
- ④ Type
- ⑤ Typical inductance value (1.0uH)
- ⑥ Inductance tolerance ( $\pm 20\%$ )

## Specifications

Part Number	Inductance (uH)	Tolerance ( $\pm$ )	DCR (mohm) $\pm 20\%$	Isat(A) Max	Itemp(A) Max	Test Frequency (Hz)
CMI-DP6012NH-1R0M	1.0	20%	55	3.60	2.30	100k
CMI-DP6012NH-2R2M	2.2	20%	85	2.30	1.90	100k
CMI-DP6012NH-4R7M	4.7	20%	125	1.60	1.55	100k
CMI-DP6012NH-6R8M	6.8	20%	165	1.35	1.35	100k
CMI-DP6012NH-100M	10	20%	200	1.10	1.10	100k
CMI-DP6012NH-220M	22	20%	465	0.76	0.65	100k
CMI-DP6012NH-330M	33	20%	580	0.6	0.55	100k
CMI-DP6012NH-470M	47	20%	810	0.52	0.46	100k
CMI-DP6012NH-680M	68	20%	1160	0.44	0.41	100k
CMI-DP6012NH-101M	100	20%	1670	0.35	0.32	100k

- Isat: When based on the inductance change rate (approximately 20% below in the initial value)
- Itemp: When based on the temperature increase (Temperature increase of approximately 40°C by self heating)
- Operating temperature range : -40°C ~ +125°C ( Including self-heating)

Note 1 : Circuit design, component placement, PCB trace size and thickness, airflow and other cooling. Provision all affect the part Temperature. Part temperature should be verified in the end application

---

Korea Sales Office (KOREA)	+82)31-904-1444	H.K Sales Office (HONGKONG)	+852)2711-5551
China Sales Office (CHINA)	+86)0758-683-1444	LA Sales Office (USA)	+1)714-616-6989
Hungary Sales office (EUROPE)	+36)1-404-5832		

▪ **You can also contact us by e-mail : [coilmaster@coilmaster.com](mailto:coilmaster@coilmaster.com)**

- All specifications are subject to change without notice.
- Update date : 2015.11.19

[www.coilmaster.com](http://www.coilmaster.com)