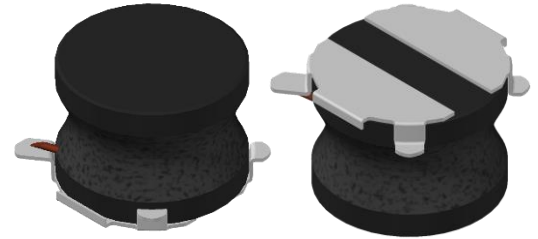


# CMI-DP7050NH-C SERIES

## Features

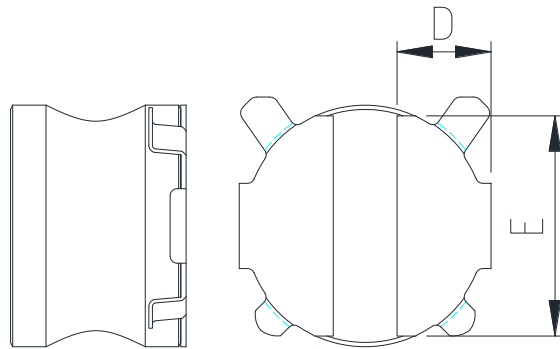
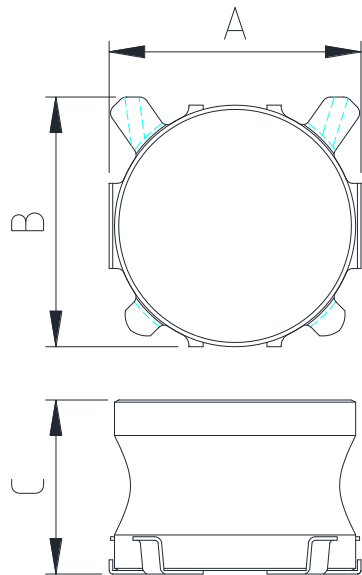
- ▶ SMD inductor.
- ▶ Resin shielded construction.
- ▶ Available tape and reel for auto insertion.
- ▶ RoHS compliant
- ▶ Halogen-Free



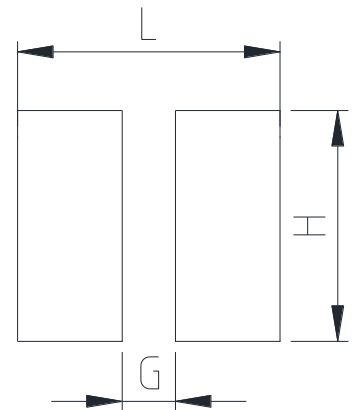
## Applications

- ▶ For small DC/DC converter (LCD/LED/OLED display, HDD, DSC etc).
- ▶ For Power supply circuits.

## Dimension (Unit:mm)

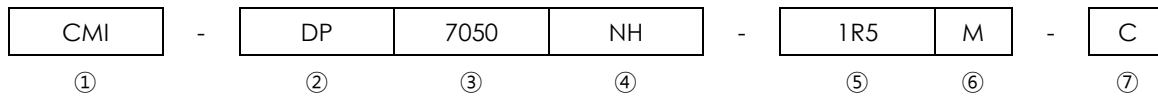


## Land Pattern (Unit:mm)



A	B	C	D	E	G	H	L
7.0 ±0.3	7.0 ±0.3	5.0 Max.	2.65 ±0.2	6.2 ±0.2	1.5	6.5	7.4

## Regulation of part number



- ① CoilMaster's initial
- ② Series Name : Drum core Pin type Power inductor
- ③ Core Size (unit:mm)
- ④ Type
- ⑤ Typical inductance value (1.5uH)
- ⑥ Inductance tolerance (±20%)
- ⑦ Revision (C)

## Specifications

Part Number	Inductance (uH)	Tolerance (±)	DCR (mohm) Max.(Typ.)	Isat(A) Max.(Typ.)	Itemp(A) Max.(Typ.)	Test Frequency (Hz)
CMI-DP7050NH-1R5M-C	1.5	20%	16.8(14)	10.1(10.6)	8.4(9.1)	100k
CMI-DP7050NH-1R8M-C	1.8	20%	18(15)	9.0(9.5)	7.9(8.6)	100k
CMI-DP7050NH-2R2M-C	2.2	20%	19.2(16)	8.9(9.4)	7.7(8.4)	100k
CMI-DP7050NH-3R3M-C	3.3	20%	24(20)	7.1(7.5)	6.2(6.8)	100k
CMI-DP7050NH-4R7M-C	4.7	20%	30(25)	6.2(6.6)	6.1(6.6)	100k
CMI-DP7050NH-6R8M-C	6.8	20%	36(30)	5.3(5.6)	5.1(5.7)	100k
CMI-DP7050NH-100M-C	10	20%	50.4(42)	3.9(4.3)	3.8(4.3)	100k
CMI-DP7050NH-150M-C	15	20%	72(60)	3.6(3.8)	3.2(3.6)	100k
CMI-DP7050NH-220M-C	22	20%	96(80)	2.8(3.0)	2.9(3.1)	100k
CMI-DP7050NH-680M-C	68	20%	264(220)	1.6(1.7)	1.8(1.9)	100k
CMI-DP7050NH-101M-C	100	20%	462(385)	1.3(1.4)	1.4(1.5)	100k
CMI-DP7050NH-221M-C	220	20%	792(660)	0.9(1.0)	1.1(1.2)	100k

- Isat: When based on the inductance change rate (Approximately 20% below in the initial value)
- Itemp: When based on the temperature increase (Temperature increase of approximately 40°C by self heating)
- Operating Temperature Range (including self temperature) : -40°C ~ +125 °c

Note 1 : Circuit design, component placement, PCB trace size and thickness, airflow and other cooling. Provision all affect the part Temperature. Part temperature should be verified in the end application

Korea Sales Office (KOREA)	+82)31-904-1444	H.K Sales Office (HONGKONG)	+852)2711-5551
China Sales Office (CHINA)	+86)0758-683-1444	LA Sales Office (USA)	+1)714-616-6989
Hungary Sales office (EUROPE)	+36)1-404-5832		

▪ You can also contact us by e-mail : [coilmaster@coilmaster.com](mailto:coilmaster@coilmaster.com)

- All specifications are subject to change without notice.
- Update date : 2015.11.19

[www.coilmaster.com](http://www.coilmaster.com)