

CMI-DP8040NH-SERIES-A



Features

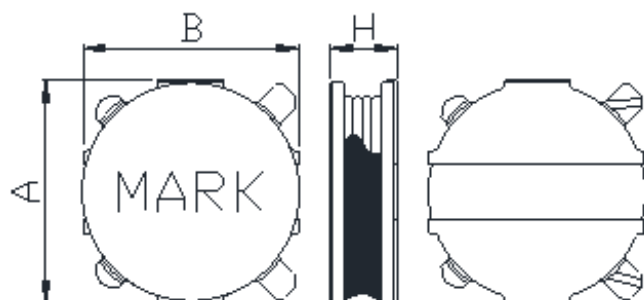
- ▶ SMD inductor.
- ▶ Resin shielded construction.
- ▶ Available tape and reel for auto insertion.
- ▶ RoHS compliant
- ▶ Halogen-Free

Applications

- ▶ For small DC/DC converter (LCD/LED/OLED display, HDD, DSC etc).
- ▶ For Power supply circuits.

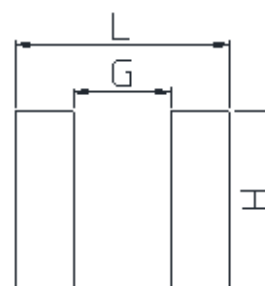


Dimension (Unit:mm)



A	B	H
8.0±0.3	8.0±0.3	4.0Max

Land Pattern (Unit:mm)



L	G	H
8.20	3.80	7.50

Specifications

Part Number	Inductance (uH)	Tolerance (±)	DCR (mohm) ±20%	Isat(A) Max	Itemp(A) Max	Test Frequency (Hz)
CMI-DP8040NH-1R0M-A	1.0	20%	10	13.30	11.00	100k
CMI-DP8040NH-1R5M-A	1.5	20%	12	11.30	10.00	100k
CMI-DP8040NH-2R2M-A	2.2	20%	14	10.30	9.10	100k
CMI-DP8040NH-3R3M-A	3.3	20%	19	7.80	7.60	100k
CMI-DP8040NH-4R7M-A	4.7	20%	24	6.50	6.30	100k
CMI-DP8040NH-6R8M-A	6.8	20%	30	5.50	5.00	100k
CMI-DP8040NH-100M-A	10	20%	35	4.50	4.60	100k
CMI-DP8040NH-150M-A	15	20%	57	3.70	3.70	100k
CMI-DP8040NH-220M-A	22	20%	70	3.10	3.20	100k

- You can also contact us by e-mail : coilmaster@coilmaster.com
- All specifications are subject to change without notice.
- Update date : 2017.04.21

Part Number	Inductance (uH)	Tolerance (±)	DCR (mohm) ±20%	Isat(A) Max	Itemp(A) Max	Test Frequency (Hz)
CMI-DP8040NH-330M-A	33	20%	112	2.50	2.50	100k
CMI-DP8040NH-470M-A	47	20%	154	2.10	2.20	100k
CMI-DP8040NH-680M-A	68	20%	207	1.70	1.90	100k
CMI-DP8040NH-101M-A	100	20%	300	1.40	1.65	100k
CMI-DP8040NH-151M-A	150	20%	435	1.20	1.30	100k
CMI-DP8040NH-331M-A	330	20%	1000	0.80	0.80	100k

- Isat: When based on the inductance change rate (approximately 30% below in the initial value)
- Itemp: When based on the temperature increase (Temperature increase of approximately 40°C by self heating)
- Operating temperature range : -40°C ~ +125°C (Including self-heating)

Note 1 : Circuit design, component placement, PCB trace size and thickness, airflow and other cooling. Provision all affect the part Temperature. Part temperature should be verified in the end application

▪ You can also contact us by e-mail : coilmaster@coilmaster.com

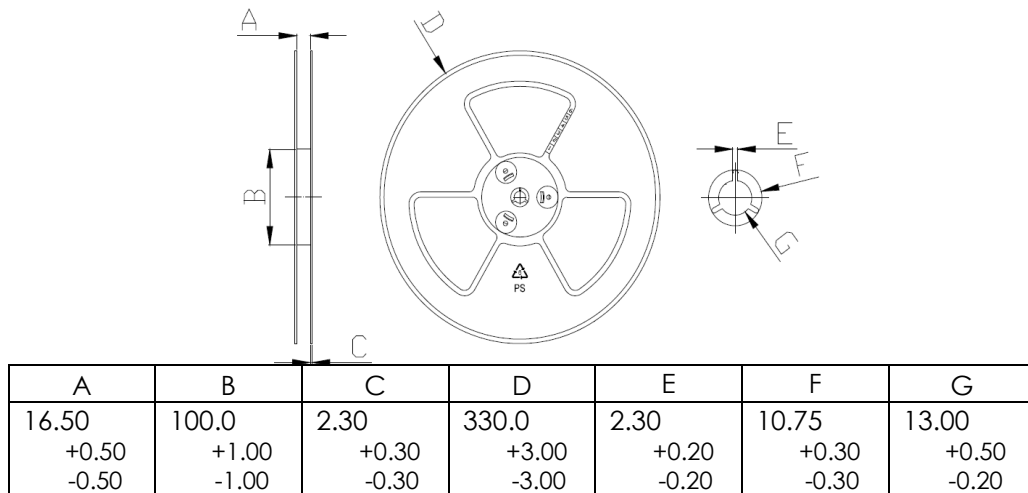
- All specifications are subject to change without notice.
- Update date : 2017.04.21

www.coilmaster.com

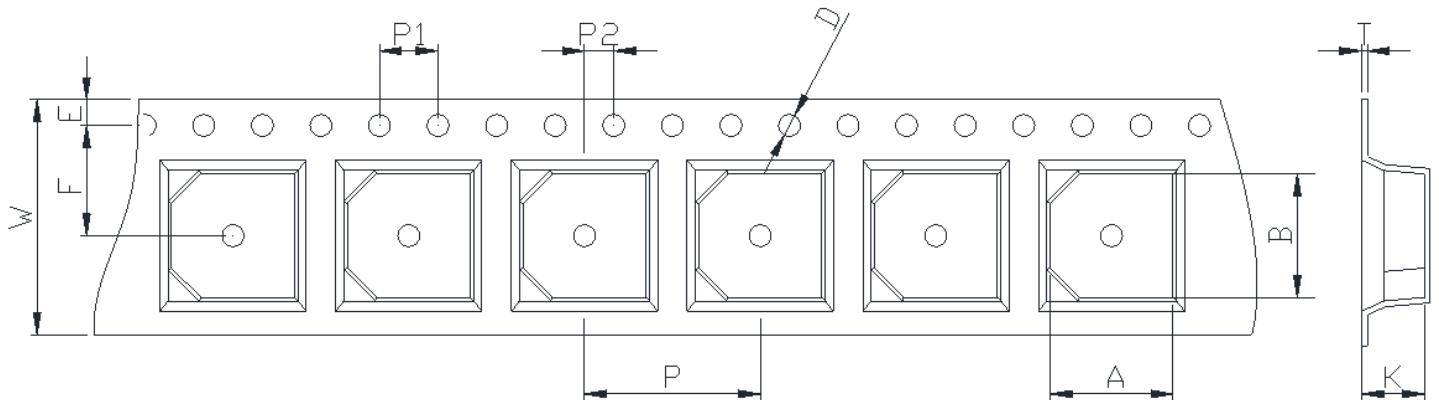
Packaging

(1) Package quantity : 1,000 (pcs/reel)

(2) Reel Dimensions (unit:mm)



(3) Tape Dimensions



W	A	B	K	E	F	P	P1	P2	D	T
16.00	8.40	8.40	4.30	1.75	7.50	12.00	4.00	2.00	1.50	0.40
+0.30	+0.10	+0.10	+0.10	+0.10	+0.10	+0.10	+0.10	+0.10	+0.10	+0.05
-0.10	-0.10	-0.10	-0.10	-0.10	-0.10	-0.10	-0.10	-0.10	-0.00	-0.05

Ilisan Sales Office (KOREA) +82)31-904-1444
 Shenzhen Sales Office (CHINA) +86)755-8663-6929
 Hungary Sales office (EUROPE) +36)30-913-7706

H.K Sales Office (HONGKONG) +852)2711-5551
 LA Sales Office (USA) +1)866-446-3586

• You can also contact us by e-mail : coilmaster@coilmaster.com

- All specifications are subject to change without notice.
- Update date : 2017.04.21

www.coilmaster.com