

CMI-DSS4012NH-SERIES



Features

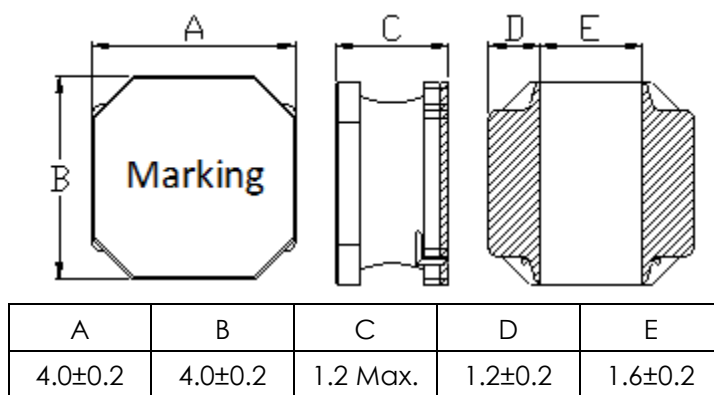
- ▶ Small and Low profile inductor
- ▶ It corresponds to High current.
- ▶ Simple and Shield structure.
- ▶ Takes up less PCB real estate and save more power
- ▶ Available tape and reel for auto insertion.
- ▶ RoHs compliant
- ▶ Halogen-Free



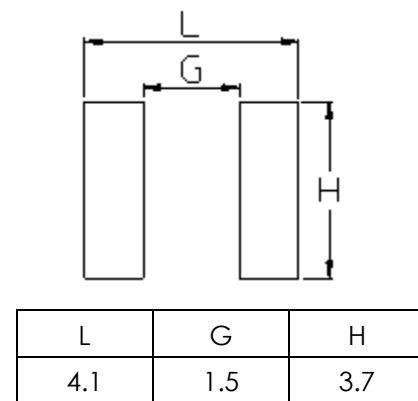
Applications

- ▶ For small DC/DC converter (cellular Phone, LCD/LED/OLED display etc).

Dimension (Unit:mm)



Land Pattern (Unit:mm)



Specifications

Part Number	Inductance (μH)	Tolerance (±)	DCR (mΩ) ±30%	Isat (A) Max.	Itemp (A) Max.	SRF (Min) (MHz)
CMI-DSS4012NH-R82N	0.82	30%	50	3.02	1.65	150
CMI-DSS4012NH-1R0N	1.0	30%	50	2.61	1.65	120
CMI-DSS4012NH-1R5N	1.5	30%	65	2.10	1.46	90
CMI-DSS4012NH-1R8N	1.8	30%	80	2.12	1.32	88
CMI-DSS4012NH-2R2N	2.2	30%	80	1.76	1.32	74
CMI-DSS4012NH-3R3N	3.3	30%	110	1.72	1.12	60
CMI-DSS4012NH-4R7N	4.7.	30%	125	1.15	1.05	50
CMI-DSS4012NH-6R8M	6.8	20%	198	0.85	0.84	40
CMI-DSS4012NH-100M	10	20%	265	0.80	0.77	33
CMI-DSS4012NH-120M	12	20%	290	0.66	0.70	32
CMI-DSS4012NH-150M	15	20%	340	0.56	0.64	25
CMI-DSS4012NH-220M	22	20%	587	0.46	0.49	20

• You can also contact us by e-mail : coilmaster@coilmaster.com

- All specifications are subject to change without notice
- Update date : 2017.01.09

Part Number	Inductance (μH)	Tolerance (±)	DCR (mΩ) ±30%	Isat (A) Max.	Itemp (A) Max.	SRF (Min) (MHz)
CMI-DSS4012NH-330M	33	20%	810	0.42	0.42	17
CMI-DSS4012NH-470M	47	20%	1100	0.35	0.37	12
CMI-DSS4012NH-680M	68	20%	1950	0.28	0.27	11
CMI-DSS4012NH-820M	82	20%	2140	0.28	0.26	11
CMI-DSS4012NH-101M	100	20%	2210	0.25	0.25	9.4

- Inductance Tested at 100kHz, 1Vrms (20°C)
- Isat: When based on the inductance change rate (approximately 30% below in the initial value)
- Itemp: When based on the temperature increase (Temperature increase of approximately 40°C by self heating)
- Operating Temperature Range(including self temperature) : -25°C ~ +125°C

Note 1 : Circuit design, component placement, PCB trace size and thickness, airflow and other cooling. Provision all affect the part Temperature. Part temperature should be verified in the end application

Ilsan Sales Office (KOREA) +82)31-904-1444
Shenzhen Sales Office (CHINA) +86)755-8663-6929
Hungary Sales office (EUROPE) +36)30-913-7706

H.K Sales Office (HONGKONG) +852)2711-5551
LA Sales Office (USA) +1)866-446-3586

▪ **You can also contact us by e-mail : coilmaster@coilmaster.com**

- All specifications are subject to change without notice
- Update date : 2017.01.09

www.coilmaster.com