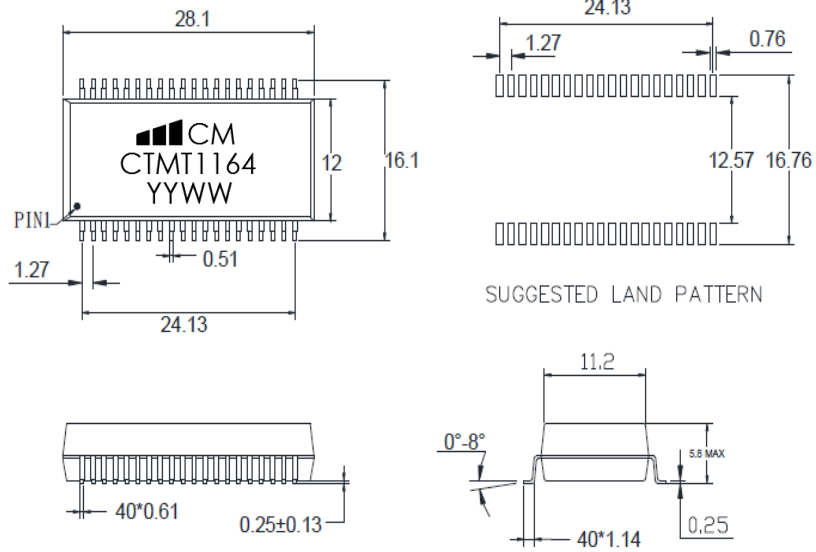


# 10/100 BASE-T TRANSFORMER MODULES

RoHS Compliant

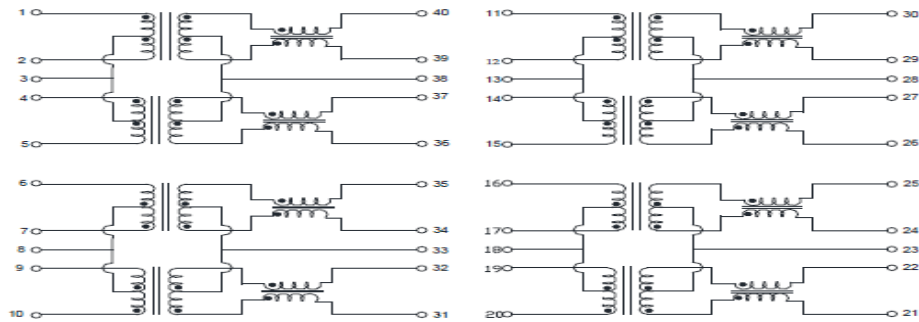
## Mechanicals:



## Electrical Specifications: @25°C

- OCL : 350 uH Min. @ 100 kHz, 100 mV with 8 mA DC Bias
- Leakage Inductance : 0.5 uH MAX. @ 100 kHz, 0.1 V
- Cw/w : 60 pF Max. @ 100 kHz, 0.1 V
- DCR : 1.30 Ω Max.
- Turns Ratio (±5%) : 1CT:1CT(TX), 1CT:1CT(RX)
- Insertion Loss : -1.1 dB Max. @ 1-100 MHz
- Return Loss : -16 dB Min. @ 1-30 MHz  
-12 dB Min. @ 60 MHz  
-10 dB Min. @ 80 MHz
- Cross Talk : -42 dB Min. @ 1-30 MHz  
-40 dB Min. @ 60 MHz  
-38 dB Min. @ 80-100 MHz
- Common Mode Rejection : -42 dB Min. @ 1-30 MHz  
-40 dB Min. @ 60 MHz  
-35 dB Min. @ 80-100 MHz
- Isolation HI-POT : 1500 Vrms, 1mA, 1 Second

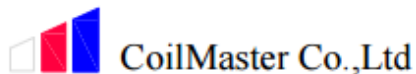
## Schematics:



[www.coilmaster.com](http://www.coilmaster.com)

Modify Note:  
1.Original

\*Specification Subject to Change Without Notice

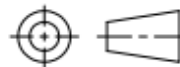


P/N:

CMCT1164

DIMENSIONS IN MM

SCALE: NONE



Unless otherwise specified  
Dim. Tolerances are:  
.xx0.25

Ver: A

DRWN: jason DATE: 2012/4/21

Page: 1/1

CHKD: zouhui DATE: 2012/4/21

TEL: +82-31-904-1444 FAX: +82-31-909-8204 E-mail: Coilmaster@Coilmaster.com

APPD: JARLY DATE: 2012/4/21