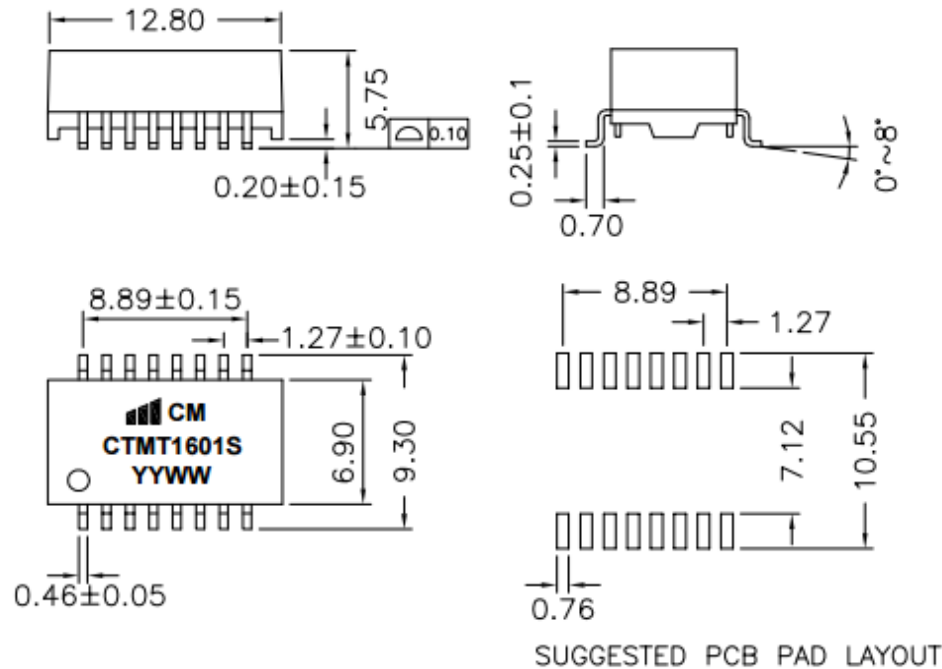


# 10/100 BASE-T SINGLE PORT SMD TRANSFORMER MODULE

RoHS Compliant

## Mechanicals:



## Electrical Specifications: @25°C

Isolation Voltage: 1500 Vrms (INPUT to OUTPUT)

Turns Ratio: (1-2-3):(16-15-14)=1CT:1CT ±2%

Turns Ratio: (6-7-8):(11-10-9)=1CT:1CT ±2%

OCL: 350uH Minimum @100KHz 100mV,8mADC

Cw/w: 20pF Typical @100KHz 100mV

DCR:PIN1-3,PIN6-8 0.9ohms Maximum

DCR:PIN16-14,PIN11-9 1.2ohms Maximum

Leakage Inductance: 0.4uH Max @100KHz 100mV

Insertion Loss: -1.1dB Maximum @0.1MHz ~ 100MHz

Return Loss: -18dB @5-30MHz

-15.5dB Min @40MHz

-13.6dB Min @50MHz

-12.0dB Min @60MHz-80MHz

DCMR: -40dB Minimum @30MHz

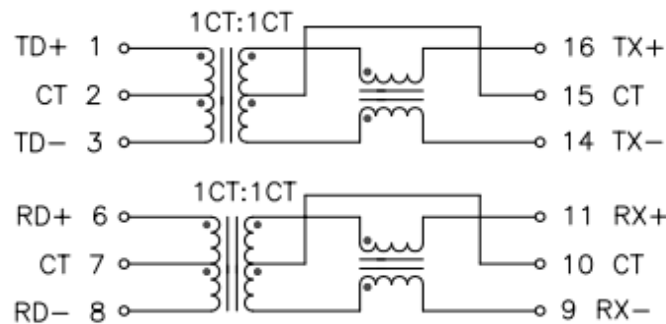
-35dB Minimum @50MHz

-30dB Minimum @100MHz

Crosstalk: -38dB Minimum @30MHz/ -35dB Minimum @60MHz

-30dB Minimum @100MHz

## Schematics:



[www.coilmaster.com](http://www.coilmaster.com)

Modify Note:  
1.Original

\*Specification Subject to Change Without Notice