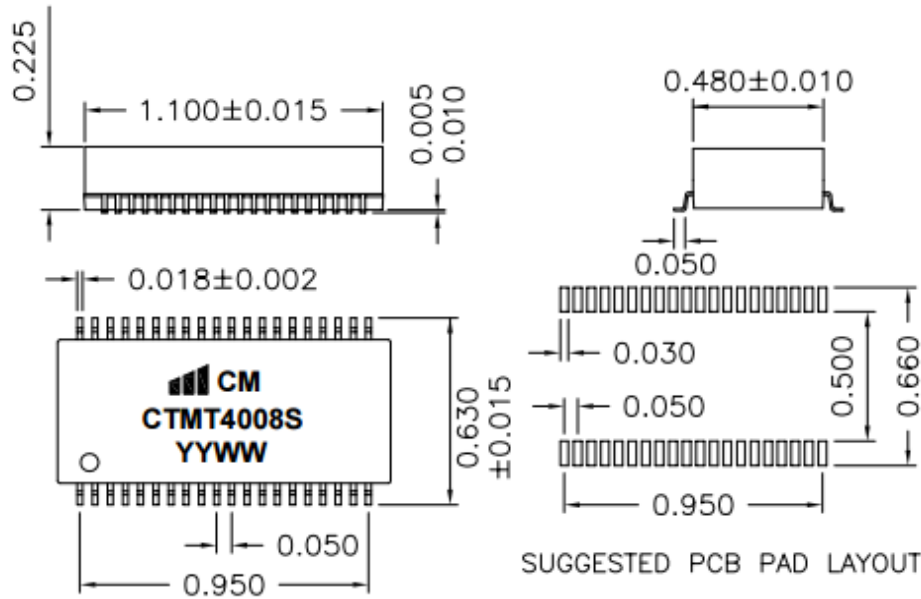


1000BASE-T SMD TRANSFORMER MODULE

RoHS Compliant

Mechanicals:



Electrical Specifications: @25°C

Operating Temperature: 0°C~+70°C

Isolation Voltage: 1500 Vrms (INPUT to OUTPUT)

Turns Ratio: PRI:SEC=1CT:1CT ±3%

OCL: 350uH Minimum @100KHz 100mV,8mA DC Bias

Cw/w: 40pF Typical @100KHz 100mV

Insertion Loss: -1.1dB Maximum @0.1MHz ~ 100MHz

Return Loss: -18dB @30MHz

-12dB Min @60MHz -10dB Min @100MHz

Leakage Inductance: 0.4uH Max @100KHz 50mV

DCMR: -40dB Minimum @30MHz

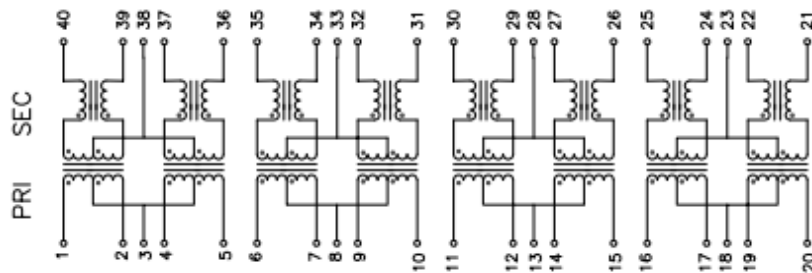
-35dB Minimum @50MHz

-30dB Minimum @100MHz

Crosstalk: -38dB Minimum @30MHz/ -35dB Minimum @62MHz

-30dB Minimum @100MHz

Schematics:



www.coilmaster.com

Modify Note:
1.Original

*Specification Subject to Change Without Notice

