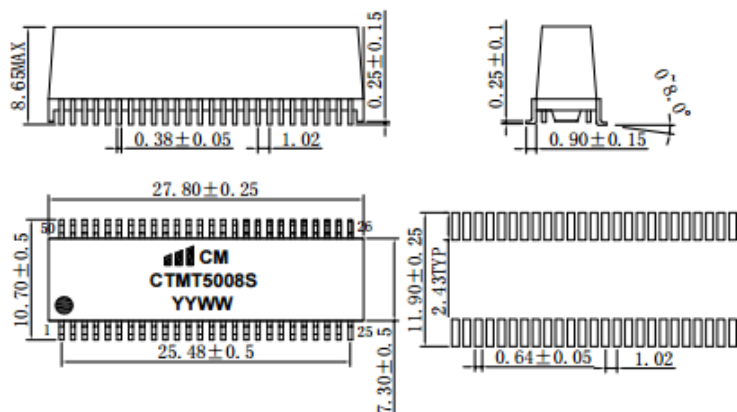


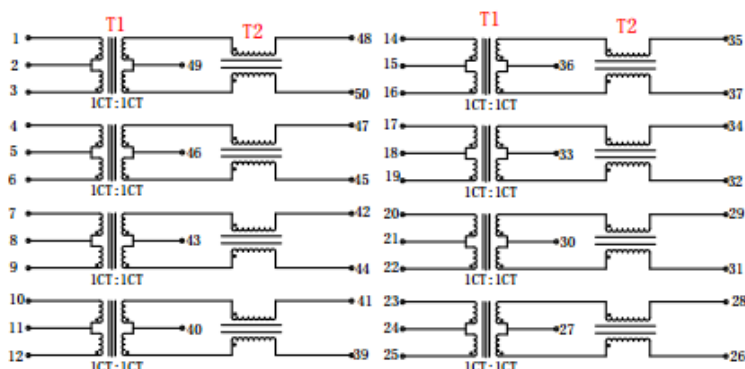
1000BASE-T SMD TRANSFORMER MODULE

RoHS Compliant

Mechanicals:



Schematics:



Electrical Specifications: @25°C

1.0 TURNS RATIO:	(1~3) : (48~50) (4~6) : (47~45)	: 1:1 ± 3%
	(7~9) : (42~44) (10~12) : (41~39)	: 1:1 ± 3%
	(14~16) : (35~37) (17~19) : (34~32)	: 1:1 ± 3%
	(20~22) : (29~31) (23~25) : (28~26)	: 1:1 ± 3%
2.0 INDUCTANCE:	(1~3), (4~6), (7~9), (10~12)	: 365uH MIN @ 0.1V, 100KHZ, 8mA DC BIAS
	(14~16), (17~19), (20~22), (23~25)	: 365uH MIN @ 0.1V, 100KHZ, 8mA DC BIAS
3.0 LEAKAGE INDUCTANCE:	1~3 (WITH 48 AND 50 SHORT)	: 0.40uH MAX @ 100KHZ 100mV
	4~6 (WITH 47 AND 45 SHORT)	: 0.40uH MAX @ 100KHZ 100mV
	7~9 (WITH 42 AND 44 SHORT)	: 0.40uH MAX @ 100KHZ 100mV
	10~12 (WITH 41 AND 39 SHORT)	: 0.40uH MAX @ 100KHZ 100mV
	14~16 (WITH 35 AND 37 SHORT)	: 0.40uH MAX @ 100KHZ 100mV
	17~19 (WITH 34 AND 32 SHORT)	: 0.40uH MAX @ 100KHZ 100mV
	20~22 (WITH 29 AND 31 SHORT)	: 0.40uH MAX @ 100KHZ 100mV
	23~25 (WITH 28 AND 26 SHORT)	: 0.40uH MAX @ 100KHZ 100mV
4.0 INTERWINDING CAPACITANCE:	(1~3) : (48~50) (4~6) : (47~45)	: 27pF MAX @ 100KHZ 100mV
	(7~9) : (42~44) (10~12) : (41~39)	: 27pF MAX @ 100KHZ 100mV
	(14~16) : (35~37) (17~19) : (34~32)	: 27pF MAX @ 100KHZ 100mV
	(20~22) : (29~31) (23~25) : (28~26)	: 27pF MAX @ 100KHZ 100mV
5.0 DC RESISTANCE:	(48~50) : (47~45) : (42~44) : (41~39)	: 1.1 OHMS MAX
	(35~37) : (34~32) : (29~31) : (28~26)	: 1.1 OHMS MAX
6.0 RETURN LOSS:	1MHZ TO 30MHZ	: -16dB MAX
	30MHZ TO 80MHZ	: -12dB MAX
7.0 DIELECTRIC WITHSTAND:	(1~3) : (48~50) (4~6) : (47~45)	: 1500VAC
	(7~9) : (42~44) (10~12) : (41~39)	: 1500VAC
	(14~16) : (35~37) (17~19) : (34~32)	: 1500VAC
	(20~22) : (29~31) (23~25) : (28~26)	: 1500VAC
8.0 INSERTION LOSS:	RS=RL=100OHM	
	100KHZ TO 100MHZ	: -1.2dB MAX
9.0 CROSS TALK:	1MHZ TO 100MHZ	: -35dB MIN
10.0 COMMON TO COMMON MODE ATTENUATION:	30MHZ TO 100MHZ	: -30dB MIN

www.coilmaster.com

Modify Note:
1.Original

*Specification Subject to Change Without Notice

