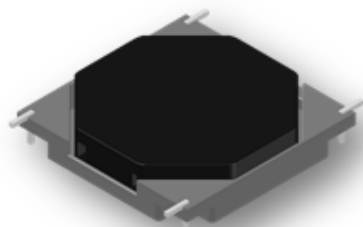




MMPB4509-SERIES

Picture



Features

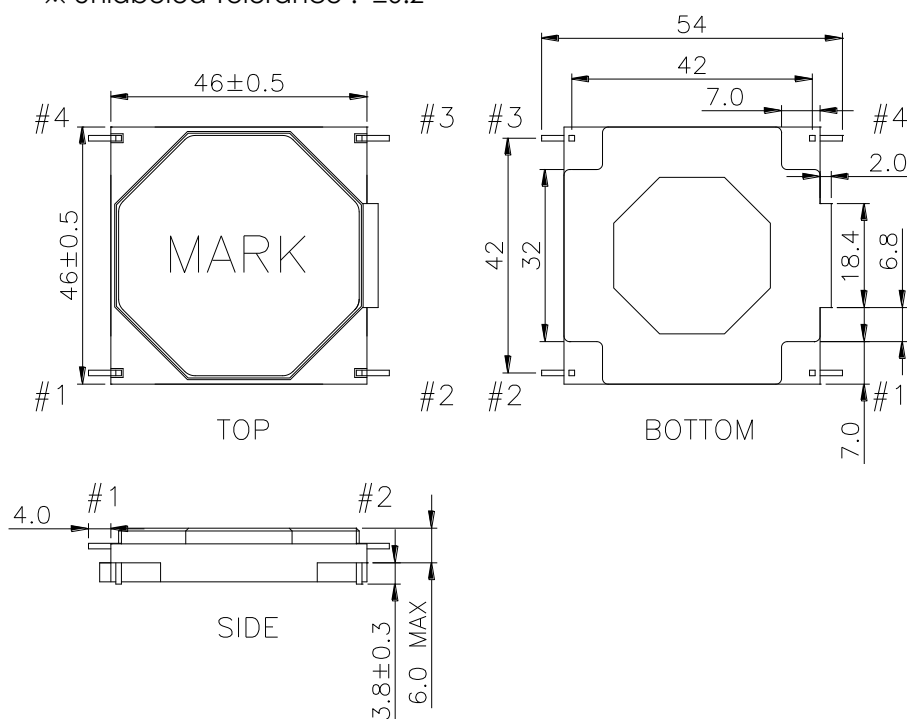
- ▶ High current
- ▶ Low profile
- ▶ Low magnetic loss
- ▶ RoHS compliant

Applications

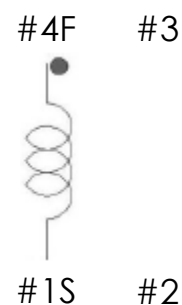
- ▶ Audio AMP, TV SMPS, Slim Adapter, AV equipment, digital consumer electronics

Dimension (Unit:mm)

※ Unlabeled Tolerance : ± 0.2



Schematic Diagram



Specifications

Part No.	Inductance (μH) $\pm 7\%$	DCR ($\text{m}\Omega$) Max.	Saturation Current(A) @25 °c	Test Frequency (Hz)
MMPB4509-131	130	108	14	100k
MMPB4509-161	160	108	10	100k

- Saturation Current : Depends on inductance saturation.
(Inductance reduction from initial shall be under 20%)
- Test Condition : Temperature 20 °c \pm 5 °c, Humidity 65% \pm 20

Ilsan Sales Office (KOREA) +82)31-904-1444

Shenzhen Sales Office (CHINA) +86)755-8663-6929

Hungary Sales office (EUROPE) +36)30-913-7706

H.K Sales Office (HONGKONG) +852)2711-5551

LA Sales Office (USA)

+1)866-446-3586

▪ You can also contact us by e-mail : coilmaster@coilmaster.com

- All specifications are subject to change without notice.
- Update date : 2019.03.12

www.coilmaster.com