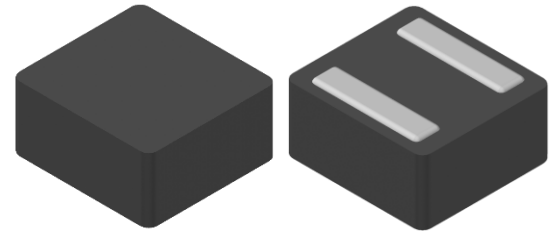


# CMI-MMPF15080QL-SB SERIES

## Features

- ▶ Metal powder molding type for EMC protection.
- ▶ Lower DCR with applying flat wire.
- ▶ Available tape and reel for auto insertion.
- ▶ Halogen-Free.
- ▶ RoHS compliant.

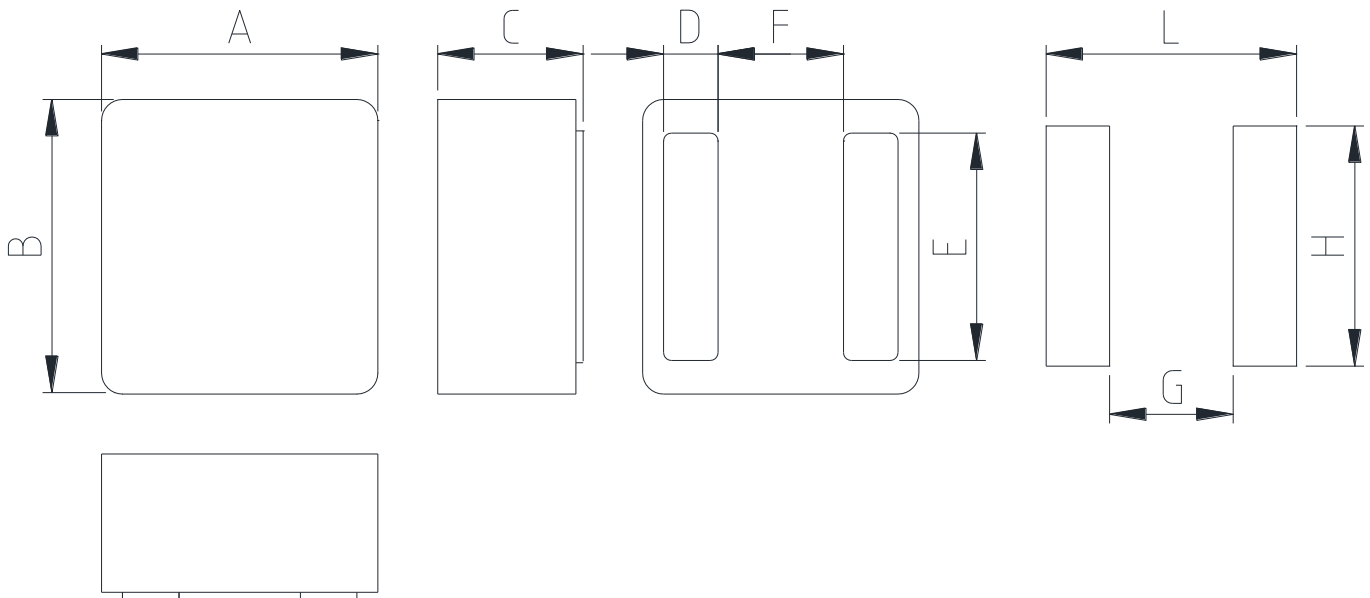


## Applications

- ▶ For DC/DC Converter

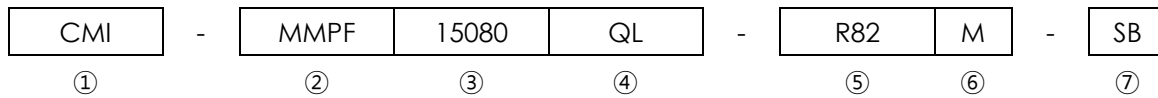
## Dimension (Unit:mm)

## Land Pattern (Unit:mm)



A	B	C	D	E	F	G	H	L
15.2 ±0.5	16.2 ±0.5	8.0 Max.	3.0 ±0.2	12.5 Typ.	6.9 Typ.	6.80	13.20	13.78

## Regulation of part number



- ① CoilMaster's initial
- ② Series Name : Metal Molded Power inductor Flat wire type.
- ③ Core Size (unit:mm)
- ④ Material
- ⑤ Typical inductance value (0.82uH)
- ⑥ Inductance tolerance ( $\pm 20\%$ )
- ⑦ Type (SB)

## Specifications

Part Number	Inductance (uH) $\pm 20\%$	DCR(mohm) Max.(Typ.)	Isat(A) Max.(Typ.)	Itemp(A) Max.(Typ.)	Test Frequency (Hz)
CMI-MMPF15080QL-R82M-SB	0.82	0.78(0.63)	77.4(86.0)	57.5(60.5)	1M
CMI-MMPF15080QL-1R0M-SB	1.0	0.8(0.65)	72.0(80.0)	57.0(60.0)	1M
CMI-MMPF15080QL-1R2M-SB	1.2	0.9(0.75)	70.0(78.0)	52.0(55.0)	1M
CMI-MMPF15080QL-1R5M-SB	1.5	1.0(0.8)	65.0(75.0)	42.0(47.0)	1M
CMI-MMPF15080QL-2R2M-SB	2.2	1.8(1.5)	60.0(70.0)	40.0(45.0)	1M
CMI-MMPF15080QL-3R3M-SB	3.3	2.6(2.2)	54.0(60.0)	38.0(40.0)	1M
CMI-MMPF15080QL-4R7M-SB	4.7	3.4(2.8)	45.0(50.0)	33.0(35.0)	1M
CMI-MMPF15080QL-5R6M-SB	5.6	4.2(3.5)	30.0(35.0)	28.0(30.0)	1M
CMI-MMPF15080QL-6R8M-SB	6.8	5.4(4.5)	28.0(33.0)	26.0(28.0)	1M
CMI-MMPF15080QL-8R2M-SB	8.2	6.0(5.0)	26.5(31.5)	25.0(27.0)	1M

- Isat: When based on the inductance change rate (Approximately 30% below in the initial value)
- Itemp: When based on the temperature increase (Temperature increase of approximately 40°C by self heating)
- Operating Temperature Range (including self temperature) : -40°C ~ +125 °c

Note 1 : Circuit design, component placement, PCB trace size and thickness, airflow and other cooling. Provision all affect the part Temperature. Part temperature should be verified in the end application.

▪ **You can also contact us by e-mail : [coilmaster@coilmaster.com](mailto:coilmaster@coilmaster.com)**

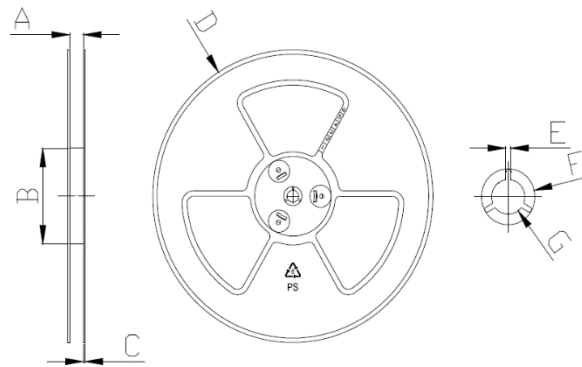
- All specifications are subject to change without notice.
- Update date : 2023.04.20

[www.coilmaster.com](http://www.coilmaster.com)

## Packaging

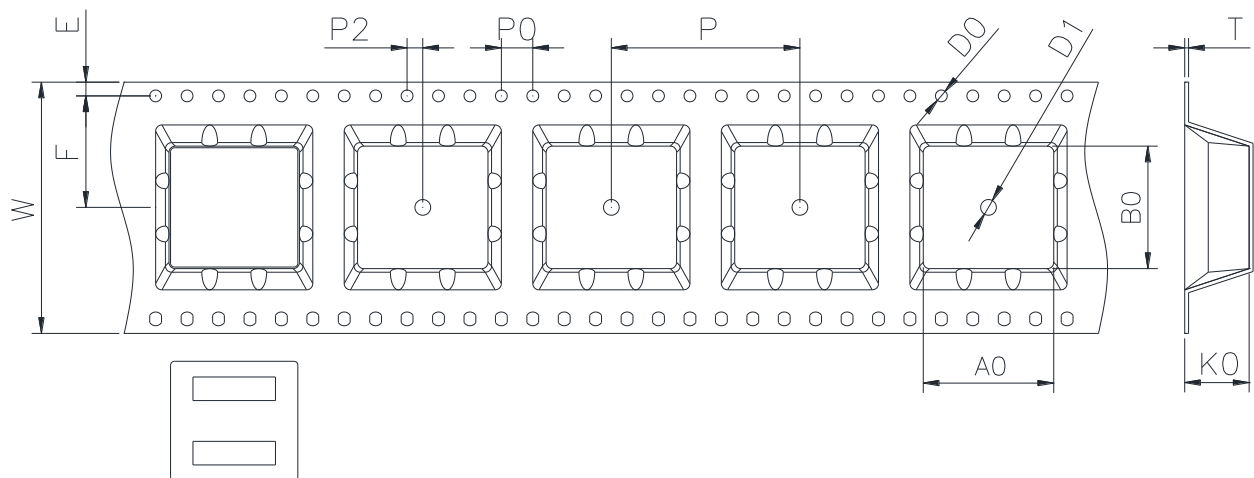
(1) Package quantity : 300 (pcs/reel)

(2) Reel Dimensions (unit:mm)



A	B	C	D	E	F	G
32.50	100.0	2.00	330.0	2.30	21.50	13.00
+0.50	+1.00	+0.20	+3.00	+0.30	+0.30	+0.50
-0.50	-1.00	-0.20	-3.00	-0.30	-0.30	-0.20

(3) Tape Dimensions



W	A0	B0	K0	E	F	P	P0	P2	D0	D1	T
32.00	16.60	15.60	8.20	1.75	14.20	24.00	4.00	2.00	1.50	2.00	0.50
+0.30	+0.10	+0.10	+0.10	+0.10	+0.10	+0.10	+0.10	+0.10	+0.10	+0.10	+0.05
-0.30	-0.10	-0.10	-0.10	-0.10	-0.10	-0.10	-0.10	-0.10	-0.00	-0.00	-0.05

Korea Sales Office (KOREA) +82)31-904-1444  
 China Sales Office (CHINA) +86)0758-683-1444  
 Hungary Sales office (EUROPE) +36)1-404-5832

H.K Sales Office (HONGKONG) +852)2711-5551  
 LA Sales Office (USA) +1)714-616-6989

• You can also contact us by e-mail : [coilmaster@coilmaster.com](mailto:coilmaster@coilmaster.com)

- All specifications are subject to change without notice.
- Update date : 2023.04.20

[www.coilmaster.com](http://www.coilmaster.com)