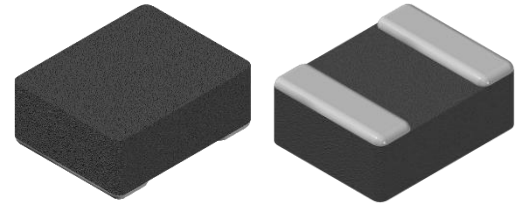


# CMI-MMPF201610BC-SERIES

## Features

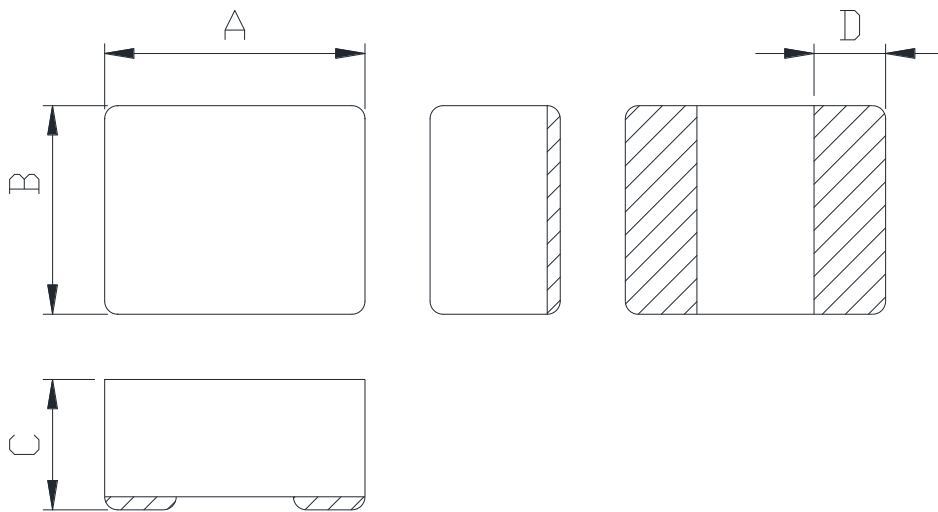
- ▶ Small size, high current and low profile
- ▶ Lower DCR with applying flat wire
- ▶ Metal powder molding type for EMC protection.
- ▶ Available tape and reel for auto insertion.
- ▶ Halogen-Free.
- ▶ RoHS compliant.



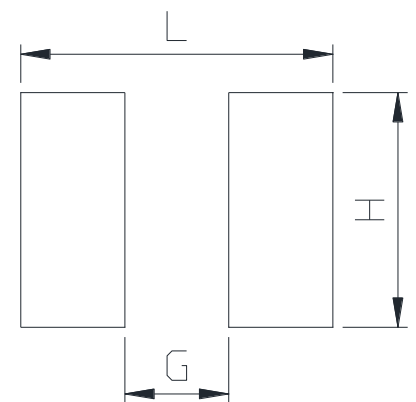
## Applications

- ▶ For DC/DC converter  
(Mobile phone, Tablet, TV, Audio, Display, HDD, SSD etc.)

## Dimension (Unit:mm)

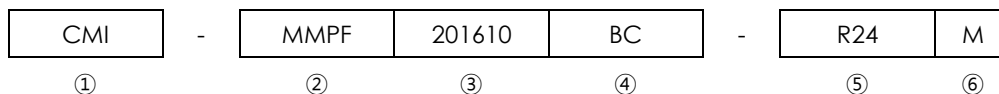


## Land Pattern (Unit:mm)



A	B	C	D	L	G	H
2.0 ±0.2	1.6 ±0.2	1.0 Max.	0.5 ±0.3	2.4	0.8	1.8

## Regulation of part number



- ① CoilMaster's initial
- ② Series Name : Metal Molded Flat wire Power inductor
- ③ Core Size (unit:mm)
- ④ Type
- ⑤ Typical inductance value (0.24uH)
- ⑥ Inductance tolerance ( $\pm 20\%$ )

## Specifications

Part Number	Inductance (uH) $\pm 20\%$	DCR(mohm) Max.(Typ.)	Isat(A) Max.(Typ.)	Itemp(A) Max.(Typ.)	Test Frequency (Hz)
CMI-MMPF201610BC-R24M	0.24	19(16.5)	6.5(7.2)	5.2(5.7)	1M
CMI-MMPF201610BC-R47M	0.47	21(18)	5.5(6.0)	4.8(5.4)	1M
CMI-MMPF201610BC-R56M	0.56	26.4(22)	4.7(5.2)	4.6(4.9)	1M
CMI-MMPF201610BC-R68M	0.68	32.4(27)	4.5(5.0)	4.4(4.6)	1M
CMI-MMPF201610BC-1R0M	1.0	43(38)	4.2(4.5)	4.1(4.3)	1M
CMI-MMPF201610BC-1R5M	1.5	85(72)	3.1(3.5)	2.1(2.4)	1M
CMI-MMPF201610BC-2R2M	2.2	138(115)	2.1(2.3)	1.9(2.1)	1M
CMI-MMPF201610BC-4R7M	4.7	250(210)	1.7(1.9)	1.3(1.5)	1M
CMI-MMPF201610BC-6R8M	6.8	380(320)	1.1(1.2)	1.3(1.5)	1M
CMI-MMPF201610BC-100M	10	700(580)	0.8(0.9)	0.6(0.7)	1M

- Isat: When based on the inductance change rate (Approximately 30% below in the initial value)
- Itemp: When based on the temperature increase (Temperature increase of approximately 40°C by self heating)
- Operating Temperature Range (including self temperature) : -40°C ~ +125 °c

Note 1 : Circuit design, component placement, PCB trace size and thickness, airflow and other cooling. Provision all affect the part Temperature. Part temperature should be verified in the end application.

▪ **You can also contact us by e-mail : [coilmaster@coilmaster.com](mailto:coilmaster@coilmaster.com)**

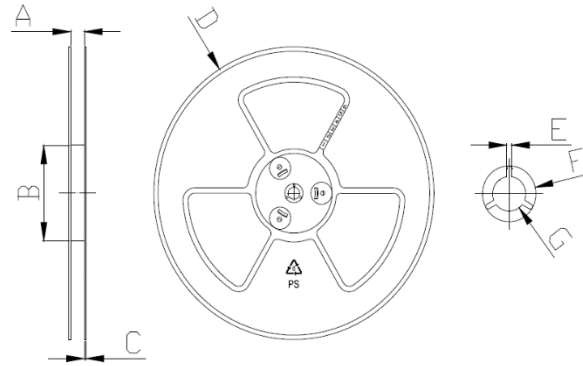
- All specifications are subject to change without notice.
- Update date : 2024.07.01

[www.coilmaster.com](http://www.coilmaster.com)

## Packaging

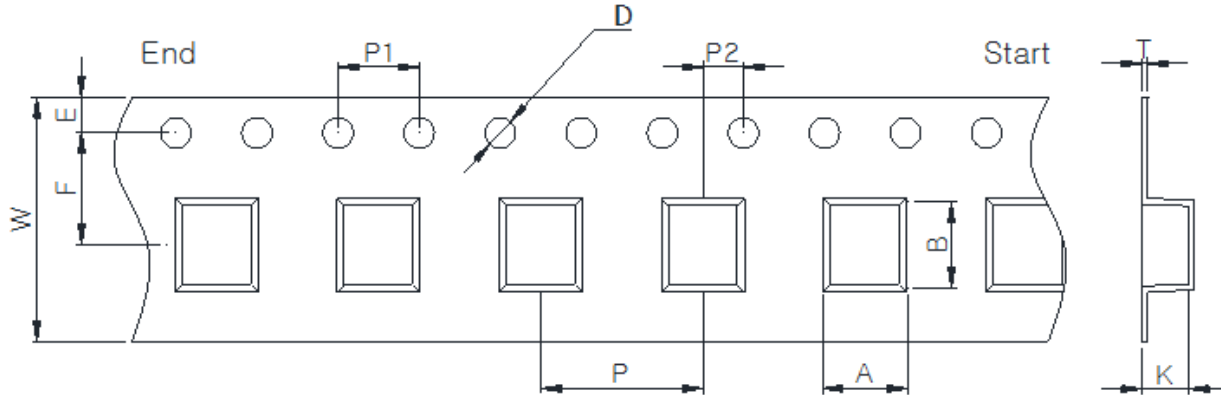
(1) Package quantity : 3,000 (pcs/reel)

(2) Reel Dimensions (unit:mm)



A	B	C	D	E	F	G
8.50	60.0	1.50	178.0	2.70	22.50	13.50
+0.50	+2.00	+0.20	+1.00	+0.30	+0.50	+0.50
-0.50	-2.00	-0.20	-1.00	-0.30	-0.50	-0.50

(3) Tape Dimensions



W	A	B	K	E	F	P	P1	P2	D	T
8.00	1.95	2.35	1.10	1.75	3.50	4.00	4.00	2.00	1.50	0.25
+0.10	+0.05	+0.05	+0.10	+0.15	+0.10	+0.10	+0.10	+0.05	+0.10	+0.05
-0.10	-0.05	-0.05	-0.10	-0.10	-0.10	-0.10	-0.10	-0.05	-0.00	-0.05

Korea Sales Office (KOREA) +82)31-904-1444  
 China Sales Office (CHINA) +86)0758-683-1444  
 Hungary Sales office (EUROPE) +36)1-404-5832

H.K Sales Office (HONGKONG) +852)2711-5551  
 LA Sales Office (USA) +1)714-616-6989

• You can also contact us by e-mail : [coilmaster@coilmaster.com](mailto:coilmaster@coilmaster.com)

- All specifications are subject to change without notice.
- Update date : 2024.07.01

[www.coilmaster.com](http://www.coilmaster.com)