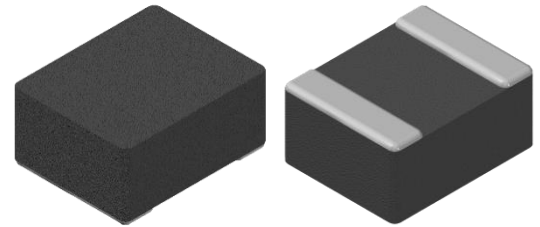


# CMI-MMPF252012BC-SERIES

## Features

- ▶ Small size and Low profile.
- ▶ Compact design.
- ▶ Lower DCR with applying flat wire
- ▶ Metal powder molding type for EMC protection.
- ▶ Available tape and reel for auto insertion.
- ▶ Halogen-Free.
- ▶ RoHS compliant.

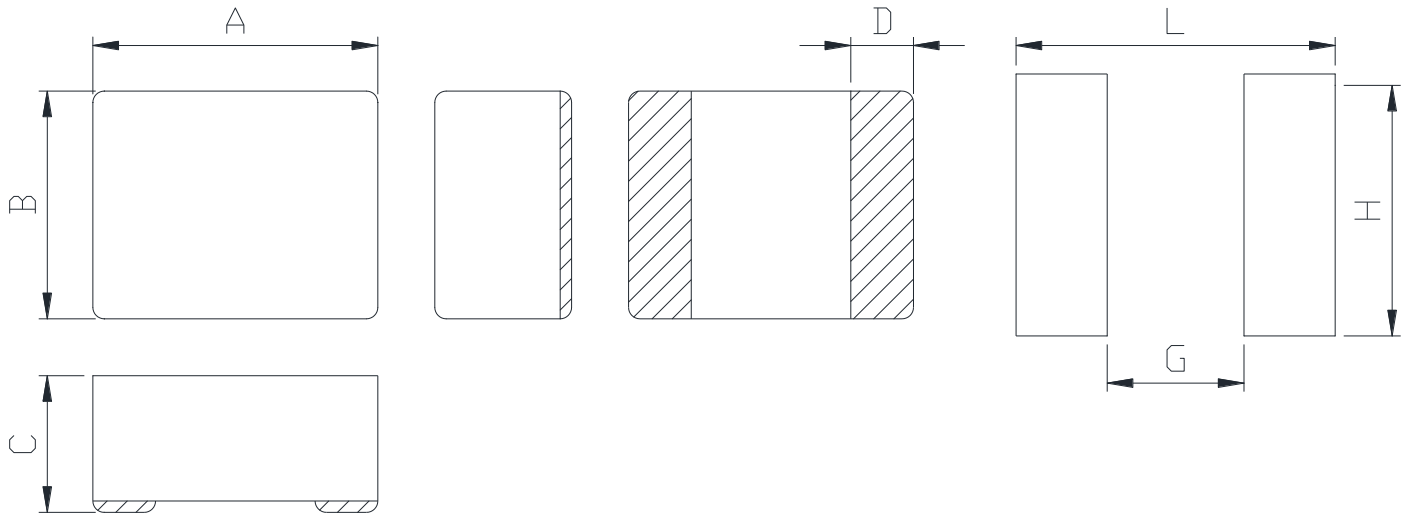


## Applications

- ▶ For DC/DC converter  
(PMIC, Mobile phone, Tablet, TV, Audio, Display, HDD, SSD etc.)

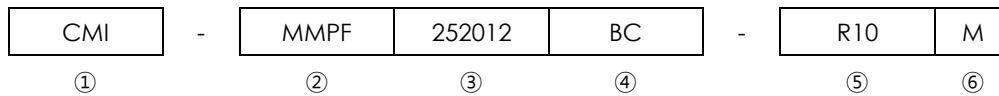
## Dimension (Unit:mm)

## Land Pattern (Unit:mm)



A	B	C	D	L	G	H
2.5 ±0.2	2.0 ±0.2	1.2 Max.	0.55 ±0.25	2.8	1.2	2.3

## Regulation of part number



- ① CoilMaster's initial
- ② Series Name : Metal Molded Flat wire Power inductor
- ③ Core Size (unit:mm)
- ④ Type
- ⑤ Typical inductance value (0.1uH)
- ⑥ Inductance tolerance ( $\pm 20\%$ )

## Specifications

Part Number	Inductance (uH) $\pm 20\%$	DCR(mohm) Max.(Typ.)	Isat(A) Max.(Typ.)	Itemp(A) Max.(Typ.)	Test Frequency (Hz)
CMI-MMPF252012BC-R10M	0.10	7(4)	10.00(12.00)	8.00(12.00)	1M
CMI-MMPF252012BC-R22M	0.22	10.8(9)	9.00(9.60)	7.60(8.20)	1M
CMI-MMPF252012BC-R24M	0.24	10.8(9)	8.60(9.20)	7.20(7.90)	1M
CMI-MMPF252012BC-R33M	0.33	12(10)	7.50(8.00)	6.40(7.00)	1M
CMI-MMPF252012BC-R47M	0.47	20(16)	6.80(7.40)	6.00(6.70)	1M
CMI-MMPF252012BC-R68M	0.68	23(19)	6.00(6.50)	5.50(6.10)	1M
CMI-MMPF252012BC-1R0M	1.0	37(31)	5.30(5.80)	5.20(5.70)	1M
CMI-MMPF252012BC-1R5M	1.5	51(42)	4.20(4.80)	3.60(4.20)	1M
CMI-MMPF252012BC-2R2M	2.2	60(52)	3.30(4.00)	3.30(3.70)	1M
CMI-MMPF252012BC-3R3M	3.3	97(80)	2.70(3.00)	2.50(2.80)	1M
CMI-MMPF252012BC-4R7M	4.7	204(170)	2.20(2.80)	2.00(2.30)	1M
CMI-MMPF252012BC-100M	10	400(330)	1.45(1.60)	1.05(1.20)	1M

- Isat: When based on the inductance change rate (Approximately 30% below in the initial value)
- Itemp: When based on the temperature increase (Temperature increase of approximately 40°C by self heating)
- Operating Temperature Range (including self temperature) : -40°C ~ +125 °c

Note 1 : Circuit design, component placement, PCB trace size and thickness, airflow and other cooling. Provision all affect the part Temperature. Part temperature should be verified in the end application.

▪ **You can also contact us by e-mail : [coilmaster@coilmaster.com](mailto:coilmaster@coilmaster.com)**

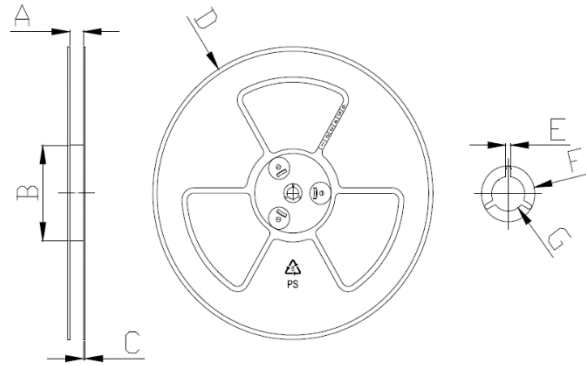
- All specifications are subject to change without notice.
- Update date : 2024.04.11

[www.coilmaster.com](http://www.coilmaster.com)

## Packaging

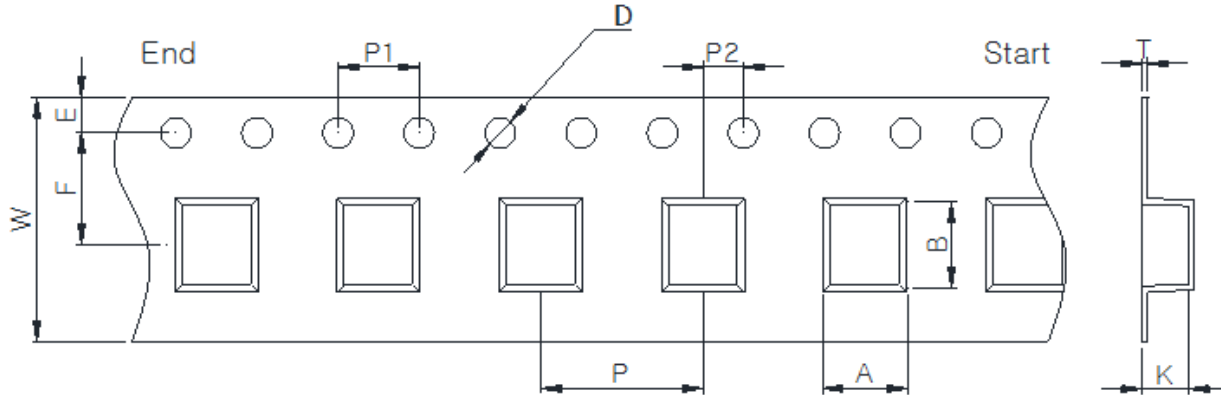
(1) Package quantity : 3,000 (pcs/reel)

(2) Reel Dimensions (unit:mm)



A	B	C	D	E	F	G
8.50	60.0	1.50	178.0	2.70	22.50	13.50
+0.50	+2.00	+0.20	+1.00	+0.30	+0.50	+0.50
-0.50	-2.00	-0.20	-1.00	-0.30	-0.50	-0.50

(3) Tape Dimensions



W	A	B	K	E	F	P	P1	P2	D	T
8.00	2.45	3.05	1.30	1.75	3.50	4.00	4.00	2.00	1.50	0.30
+0.10	+0.10	+0.10	+0.10	+0.15	+0.10	+0.10	+0.10	+0.05	+0.10	+0.05
-0.10	-0.10	-0.10	-0.10	-0.10	-0.10	-0.10	-0.10	-0.05	-0.00	-0.05

Korea Sales Office (KOREA) +82)31-904-1444  
 China Sales Office (CHINA) +86)0758-683-1444  
 Hungary Sales office (EUROPE) +36)1-404-5832

H.K Sales Office (HONGKONG) +852)2711-5551  
 LA Sales Office (USA) +1)714-616-6989

• You can also contact us by e-mail : [coilmaster@coilmaster.com](mailto:coilmaster@coilmaster.com)

- All specifications are subject to change without notice.
- Update date : 2024.04.11

[www.coilmaster.com](http://www.coilmaster.com)