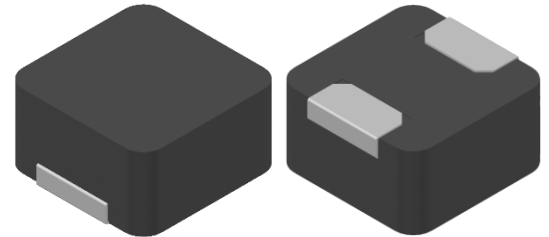


CMI-MMPP15080SH-SERIES

Features

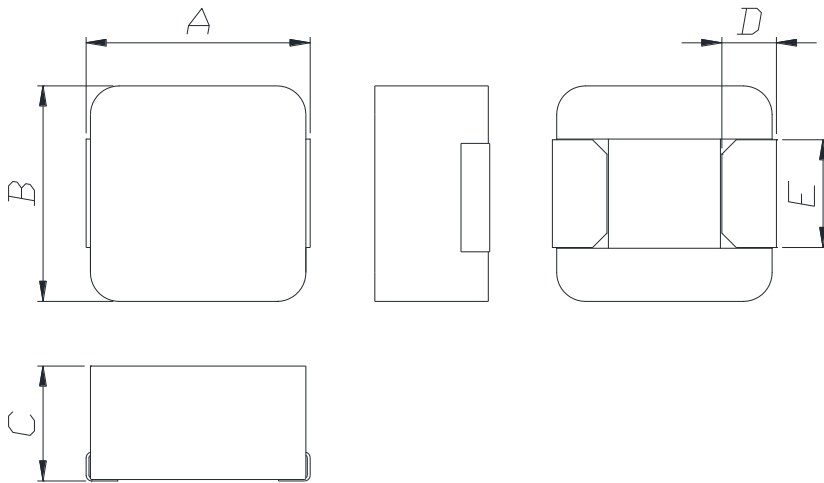
- ▶ A low height (8.5mm in high) is achieved.
- ▶ Large current is achieved in a small shape.
- ▶ Low EMI emission.
- ▶ Halogen-Free.
- ▶ RoHS compliant.



Applications

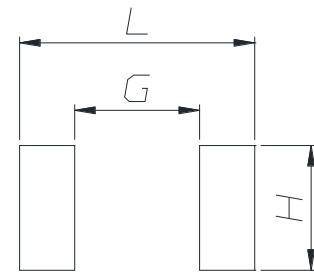
- ▶ For DC/DC converter, AV equipment, digital consumer electronics.

Dimension (Unit:mm)



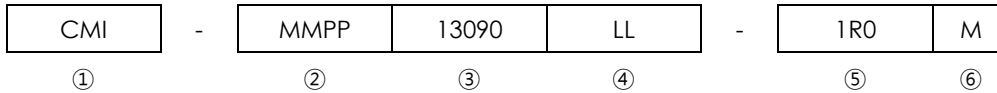
A	B	C	D	E
16.5 ±0.5	15.0 ±0.4	8.5 Max.	3.8 Ref	7.5 ±0.2

Land Pattern (Unit:mm)



L	G	H
16.0	8.5	8.5

Regulation of part number



- ① CoilMaster's initial
- ② Series Name : Metal Molded Pin type Power inductor
- ③ Core Size (unit:mm)
- ④ Material
- ⑤ Typical inductance value (1.0uH)
- ⑥ Inductance tolerance ($\pm 20\%$)

Specifications

Part Number	Inductance (uH) $\pm 20\%$	DCR(mohm) $\pm 20\%$	Isat(A) Max.	Test Frequency (Hz)
CMI-MMPP15080SH-6R8M	6.8	32	10.0	1M
CMI-MMPP15080SH -100M	10	38	8.0	1M
CMI-MMPP15080SH -180M	18	55	6.0	1M
CMI-MMPP15080SH -220M	22	58	5.5	1M
CMI-MMPP15080SH -330M	33	140	4.5	1M
CMI-MMPP15080SH -470M	47	150	4.0	1M

- Isat: When based on the inductance change rate (Approximately 30% below in the initial value)
- Operating Temperature Range (including self temperature) : -40°C ~ +125 °C

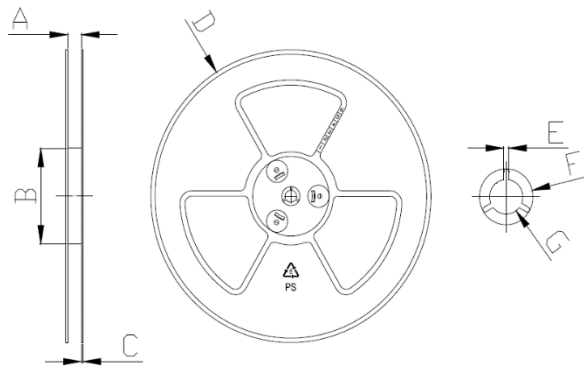
Note 1 : Circuit design, component placement, PCB trace size and thickness, airflow and other cooling. Provision all affect the part Temperature. Part temperature should be verified in the end application.

- **You can also contact us by e-mail : coilmaster@coilmaster.com**
- All specifications are subject to change without notice.
- Update date : 2015.10.26

Packaging

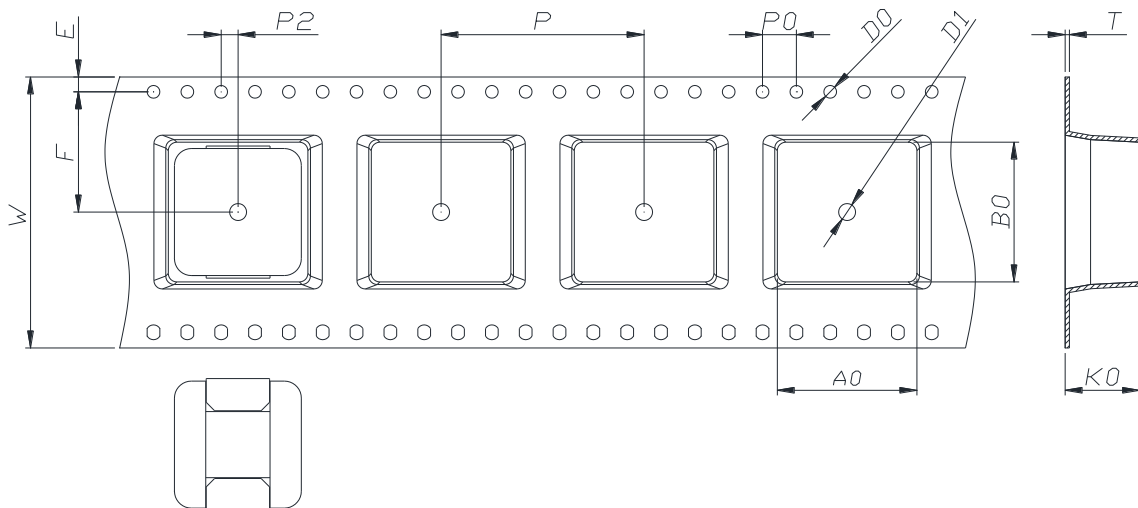
(1) Package quantity : 300 (pcs/reel)

(2) Reel Dimensions (unit:mm)



A	B	C	D	E	F	G
32.5	100.0	2.0	330.0	2.30	21.50	13.00
+0.50	+1.00	+0.10	+1.00	+0.30	+0.30	+0.50
-0.50	-1.00	-0.10	-1.00	-0.30	-0.30	-0.20

(3) Tape Dimensions



W	A0	B0	K0	E	F	P	P0	P2	D0/D1	T
32.00	16.50	16.50	8.80	1.75	14.20	24.00	4.00	2.00	1.5/2.0	0.50
+0.30	+0.10	+0.10	+0.10	+0.10	+0.10	+0.10	+0.10	+0.10	+0.10	+0.05
-0.30	-0.10	-0.10	-0.10	-0.10	-0.10	-0.10	-0.10	-0.10	-0.10	-0.05

Korea Sales Office (KOREA)

+82)31-904-1444

H.K Sales Office (HONGKONG) +852)2711-5551

China Sales Office (CHINA)

+86)0758-683-1444

LA Sales Office (USA)

+1)714-616-6989

Hungary Sales office (EUROPE)

+36)1-404-5832

• You can also contact us by e-mail : coilmaster@coilmaster.com

• All specifications are subject to change without notice.

• Update date : 2015.10.26

www.coilmaster.com