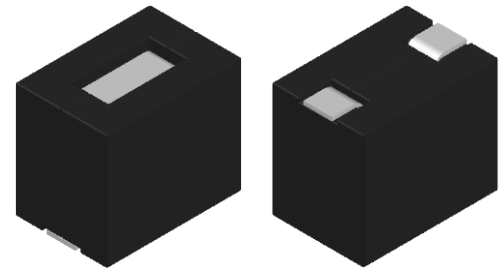


CMI-MPLD9080M1-SERIES

Features

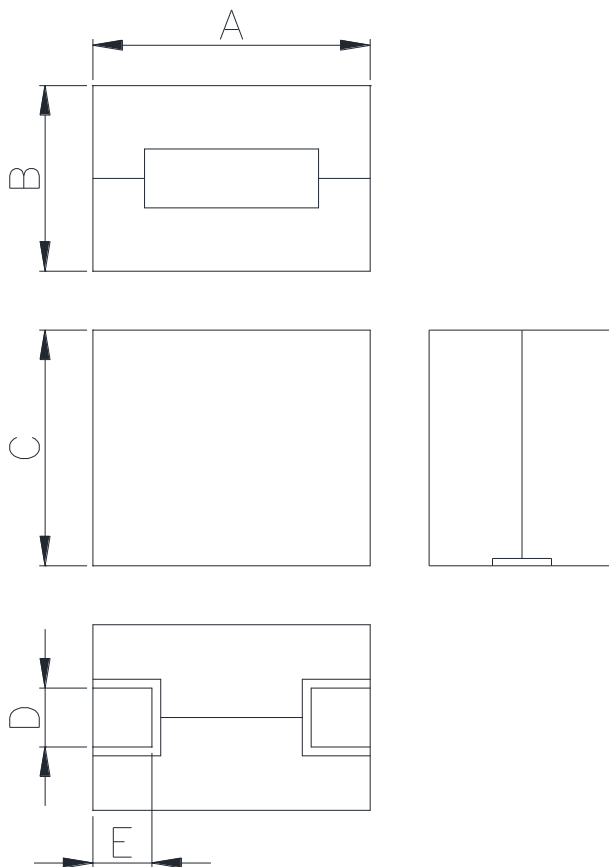
- ▶ High current and Low DCR
- ▶ It is a vertical type with a minimum PCB mount area.
- ▶ Ferrite core type for EMC protection.
- ▶ Available tape and reel for auto insertion.
- ▶ RoHS compliant / Halogen-Free.



Applications

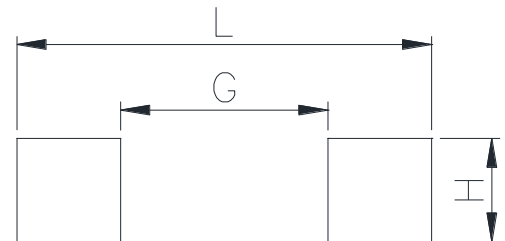
- ▶ Optimized for 5G network and VRM

Dimension (Unit:mm)



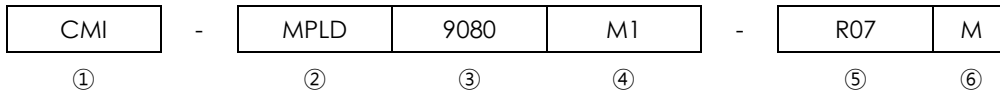
A	B	C	D	E
9.4±0.5	6.3±0.5	8.0 Max	2.0±0.3	2.0±0.5

Land Pattern (Unit:mm)



L	G	H
10.0	5.0	2.5

Regulation of part number



- ① CoilMaster's initial
- ② Series Name : Magnetic Pin Low Dcr Power inductor
- ③ Core Size (unit:mm)
- ④ Material
- ⑤ Typical inductance value (0.07uH)
- ⑥ Inductance tolerance ($\pm 20\%$)

Specifications

Part Number	Inductance (uH) $\pm 20\%$	DCR(mohm) Max(Typ)	Isat(A) Max(Typ)	Irms(A) Max(Typ)	Test Frequency (Hz)
CMI-MPLD9080M1-R07M	0.07	0.4(0.3)	90.0(100.0)	41.0(43.0)	100k
CMI-MPLD9080M1-R10M	0.10	0.4(0.3)	80.0(90.0)	40.0(42.0)	100k
CMI-MPLD9080M1-R15M	0.15	0.4(0.3)	70.0(80.0)	39.0(41.0)	100k
CMI-MPLD9080M1-R22M	0.22	0.4(0.3)	45.0(50.0)	38.0(40.0)	100k

- Isat: When based on the inductance change rate (approximately 30% below in the initial value)
- Irms: When based on the temperature increase (Temperature increase of approximately 40°C by self heating)
- Operating Temperature Range(including self temperature) : -40°C ~ +125 °c

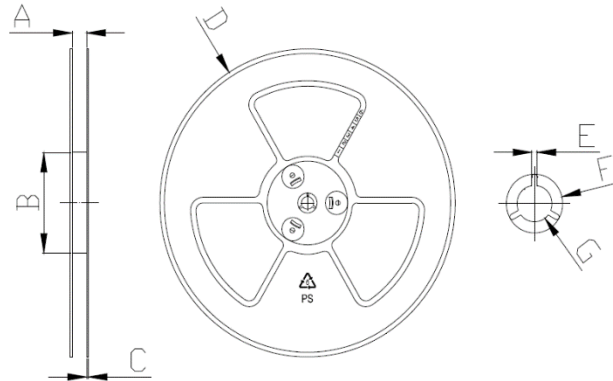
Note 1 : Circuit design, component placement, PCB trace size and thickness, airflow and other cooling. Provision all affect the part Temperature. Part temperature should be verified in the end application.

- **You can also contact us by e-mail : coilmaster@coilmaster.com**
- All specifications are subject to change without notice.
- Update date : 2021.11.15

Packaging

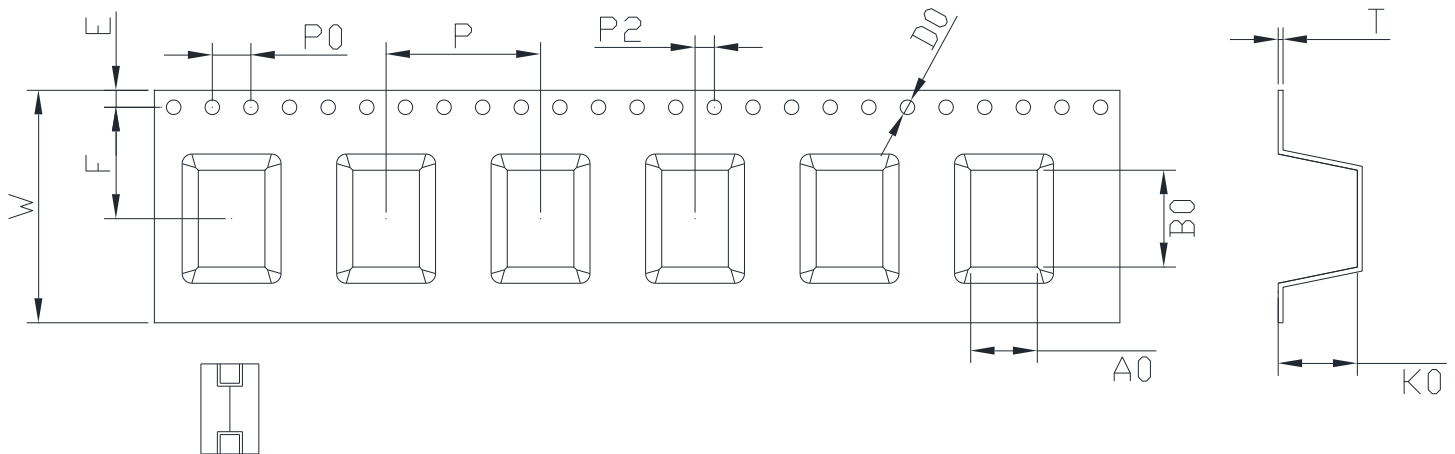
(1) Package quantity : 450 (pcs/reel)

(2) Reel Dimensions (unit:mm)



A	B	C	D	E	F	G
24.50	100.0	2.30	330.0	2.30	21.50	13.00
+0.50	+1.00	+0.10	+3.00	+0.30	+0.30	+0.50
-0.50	-1.00	-0.10	-3.00	-0.30	-0.30	-0.20

(3) Tape Dimensions



W	A0	B0	K0	E	F	P	P0	P2	D0	T
24.00	6.90	10.00	8.20	1.75	11.50	16.00	4.00	2.00	1.50	0.50
+0.30	+0.10	+0.10	+0.10	+0.10	+0.10	+0.10	+0.10	+0.10	+0.10	+0.05
-0.30	-0.10	-0.10	-0.10	-0.10	-0.10	-0.10	-0.10	-0.10	-0.00	-0.05

Ilisan Sales Office (KOREA) +82)31-904-1444
 Shenzhen Sales Office (CHINA) +86)755-8663-6929
 Hungary Sales office (EUROPE) +36)30-913-7706

H.K Sales Office (HONGKONG) +852)2711-5551
 LA Sales Office (USA) +1)866-446-3586

• You can also contact us by e-mail : coilmaster@coilmaster.com

- All specifications are subject to change without notice.
- Update date : 2021.11.15

www.coilmaster.com