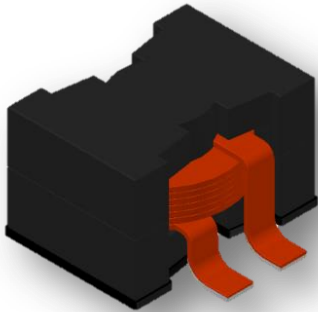


CMI-PQ2915HC-SERIES



Picture



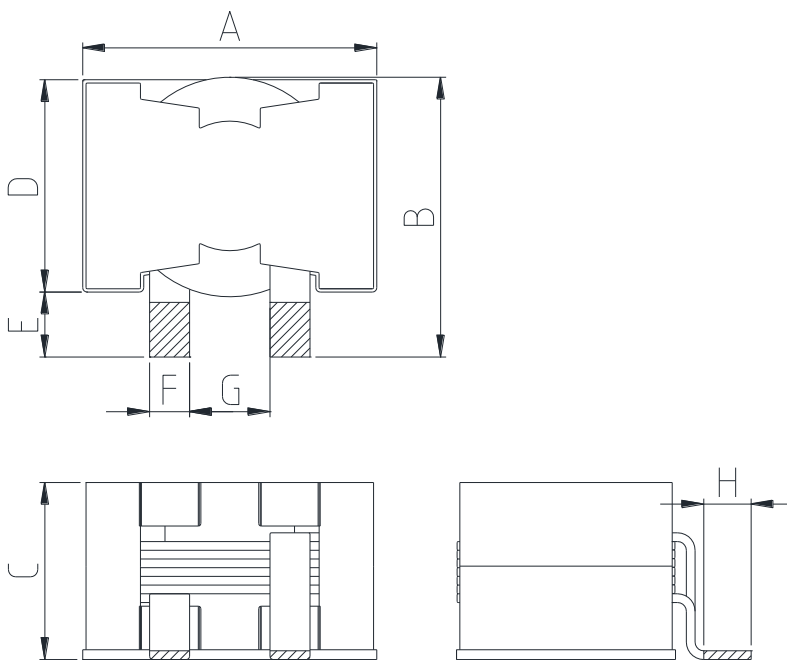
Features

- ▶ Magnetically shielded
- ▶ High current and low profile.
- ▶ Flat wire wound
- ▶ Extra solder pad for increased mechanical stability
- ▶ RoHS compliant
- ▶ Halogen Free

Applications

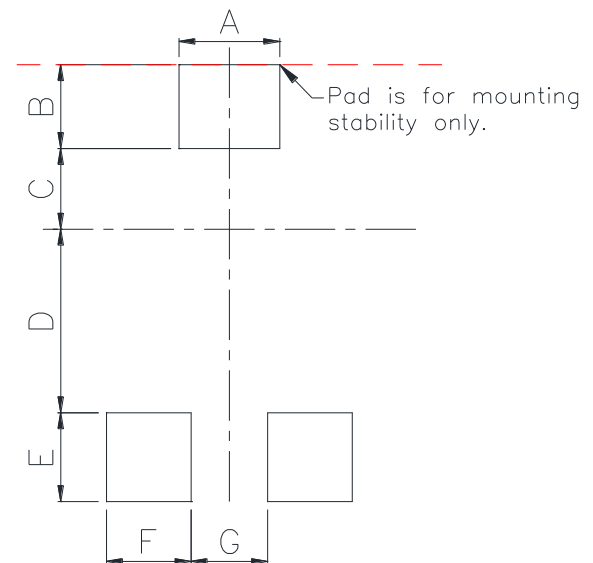
- ▶ For DC/DC converter (LED/OLED TV, Tablat, Display, Graphic, Note PC, Settop, etc)

Dimension (Unit:mm)



A	B	C	D	E
27.9 Max.	27.94 Max.	15.36 Max	19.8 Max	6.90 ref.
F	G	H	I	
3.80 ref.	6.63±0.51	6.90±0.5	3.80 Min.	

Land Pattern (Unit:mm)



A	B	C	D
6.35	5.28	5.08	11.56
E	F	G	
5.59	5.33	4.82	

- You can also contact us by e-mail : coilmaster@coilmaster.com
- All specifications are subject to change without notice.
- Update date : 2018.04.30

Specifications

► HC type (High Current)

Part No.	Inductance (μH) $\pm 10\%$	DCR ($\text{m}\Omega$) Max.(Typ.)	Isat (A)			Irms (A)		SRF (MHz) Typ.
			10% drop	20% drop	30% drop	20 °C rise	40 °C rise	
CMI-PQ2915HC-2R2K	2.2	2.05(1.86)	100.0	>100.0	>100	20	30	40
CMI-PQ2915HC-3R3K	3.3	2.05(1.86)	62.0	66.9	68.4	20	30	30
CMI-PQ2915HC-4R7K	4.7	2.05(1.86)	42.0	48.0	50.1	20	30	25
CMI-PQ2915HC-6R8K	6.8	2.05(1.86)	30.0	34.5	36.2	20	30	20
CMI-PQ2915HC-100K	10	2.05(1.86)	18.0	21.5	23.4	20	30	15
CMI-PQ2915HC-150K	15	2.05(1.86)	11.5	14.0	15.2	20	30	12
CMI-PQ2915HC-220K	22	2.05(1.86)	7.0	8.6	9.6	20	30	10
CMI-PQ2915HC-330K	33	2.05(1.86)	4.0	5.1	5.9	20	30	8

- Inductance measured at 500kHz, 0.1Vrms
- Isat1 : DC current at 25°C that causes the specified inductance drop from its value without current.
When Isat rating is less than Irms, Isat is the more critical specification.
- Irms : Current that causes the specified temperature rise from 25°C ambient. This information is for reference only and does not represent absolute maximum ratings.
- Ambient temperature -40°C to +85°C with (40°C rise) Irms current.
- Maximum part temperature +125°C (ambient + temp rise). Derating.
- Storage temperature Component: -40°C to +125°C.

IIsan Sales Office (KOREA) +82)31-904-1444
 Shenzhen Sales Office (CHINA) +86)755-8663-6929
 Hungary Sales office (EUROPE) +36)30-913-7706

H.K Sales Office (HONGKONG) +852)2711-5551
 LA Sales Office (USA) +1)866-446-3586

• You can also contact us by e-mail : coilmaster@coilmaster.com

- All specifications are subject to change without notice.
- Update date : 2018.04.30

www.coilmaster.com