

# CMI-RMCI1 608-SERIES

## Features

- ▶ Halogen-Free / RoHS compliant.
- ▶ Support operating frequency up to 10GHz.
- ▶ Provide high quality factor.
- ▶ Monolithic structure for high reliability.
- ▶ Excellent solderability and high heat resistance for either flow or reflow soldering.

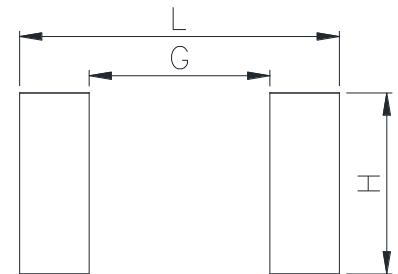
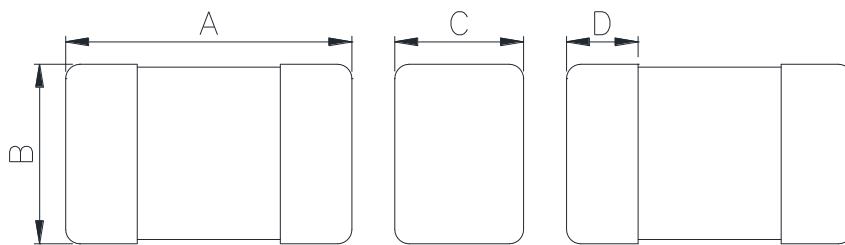


## Applications

- ▶ RF circuit and module.
- ▶ Tablet, Notebook, Desktop computers and peripheral equipment
- ▶ DSC, DVC, LCD Television, Set Top Box.
- ▶ Mobile phone, Smart phone, PND
- ▶ Digital communication equipment
- ▶ Various electronic equipment.
- ▶ Various automotive electronics

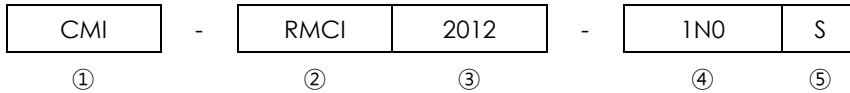
Dimension (Unit:mm)

Land Pattern (Unit:mm)



Inductance Value(nH)	A	B	C	D	L	G	H
1.0 ~ 120	2.0±0.2	1.25±0.2	0.85±0.2	0.2~0.8	2.3	1.3	1.3
150 ~ 680	2.0±0.2	1.25±0.2	1.25±0.2	0.2~0.8	2.3	1.3	1.3

## Regulation of part number



- ① CoilMaster's initial
- ② Product Series Name
- ③ Core Size (unit:mm)
- ④ Inductance Value (1N0 : 1.0 nH)
- ⑤ Inductance Tolerance (S : ±0.3nH, G : ±2%, J : ±5%, K : ±10%, M : ±20%)

## Specifications

Part Number	Inductance (nH) S: ±0.3, J: ±5%	Q Min.	Test Frequency (MHz)	SRF (GHz) Min.	DC Resistance (ohm) Max.	Rated Current (mA) Max.
CMI-RMCI2012-1N0S	1.0	10	100	10.00	0.10	300
CMI-RMCI2012-1N2S	1.2	10	100	10.00	0.10	300
CMI-RMCI2012-1N5S	1.5	10	100	4.00	0.10	300
CMI-RMCI2012-1N8S	1.8	10	100	4.00	0.10	300
CMI-RMCI2012-2N2S	2.2	10	100	4.00	0.10	300
CMI-RMCI2012-2N7S	2.7	12	100	4.00	0.10	300
CMI-RMCI2012-3N3S	3.3	12	100	4.00	0.13	300
CMI-RMCI2012-3N9S	3.9	12	100	4.00	0.15	300
CMI-RMCI2012-4N7S	4.7	12	100	3.50	0.20	300
CMI-RMCI2012-5N6S	5.6	15	100	3.20	0.23	300
CMI-RMCI2012-6N8S	6.8	15	100	2.80	0.25	300
CMI-RMCI2012-8N2S	8.2	15	100	2.40	0.28	300
CMI-RMCI2012-10NJ	10	15	100	2.10	0.30	300
CMI-RMCI2012-12NJ	12	15	100	1.90	0.35	300
CMI-RMCI2012-15NJ	15	15	100	1.60	0.40	300
CMI-RMCI2012-18NJ	18	15	100	1.50	0.45	300
CMI-RMCI2012-22NJ	22	18	100	1.40	0.50	300
CMI-RMCI2012-27NJ	27	18	100	1.30	0.55	300
CMI-RMCI2012-33NJ	33	18	100	1.20	0.60	300
CMI-RMCI2012-39NJ	39	18	100	1.00	0.65	300
CMI-RMCI2012-47NJ	47	18	100	0.90	0.70	300

• You can also contact us by e-mail : [coilmaster@coilmaster.com](mailto:coilmaster@coilmaster.com)

- All specifications are subject to change without notice.
- Update date : 2023.03.29

Part Number	Inductance (nH) S: $\pm 0.3$ , J: $\pm 5\%$	Q Min.	Test Frequency (MHz)	SRF (GHz) Min.	DC Resistance (ohm) Max.	Rated Current (mA) Max.
CMI-RMCI2012-56NJ	56	18	100	0.80	0.75	300
CMI-RMCI2012-68NJ	68	18	100	0.70	0.80	300
CMI-RMCI2012-82NJ	82	18	100	0.60	0.90	300
CMI-RMCI2012-R10J	100	18	100	0.60	0.90	300
CMI-RMCI2012-R12J	120	1	50	0.50	0.95	300
CMI-RMCI2012-R15J	150	13	50	0.50	1.00	300
CMI-RMCI2012-R18J	180	13	50	0.40	1.10	300
CMI-RMCI2012-R22J	220	12	50	0.35	1.20	300
CMI-RMCI2012-R27J	270	12	50	0.30	1.30	300
CMI-RMCI2012-R33J	330	12	50	0.25	1.40	300
CMI-RMCI2012-R39J	390	10	50	0.25	1.40	300
CMI-RMCI2012-R47J	470	10	50	0.20	4.00	300
CMI-RMCI2012-R56J	560	10	25	0.18	5.00	50
CMI-RMCI2012-R68J	680	10	25	0.16	5.50	50

- Rated Current : the DC current value having temperature increased 40 °c after thru DC current 2 hours at ambient temperature.
- Storage Temperature Range : -40°c ~ +85 °c
- Operating Temperature Range : -55°c ~ +125 °c

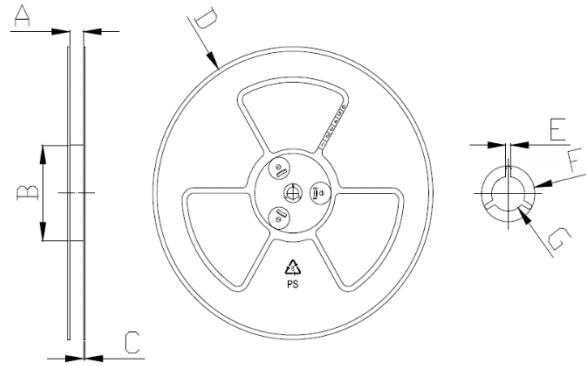
Note 1 : Circuit design, component placement, PCB trace size and thickness, airflow and other cooling. Provision all affect the part Temperature. Part temperature should be verified in the end application.

▪ You can also contact us by e-mail : [coilmaster@coilmaster.com](mailto:coilmaster@coilmaster.com)  
 ▪ All specifications are subject to change without notice.  
 ▪ Update date : 2023.03.29

## Packaging

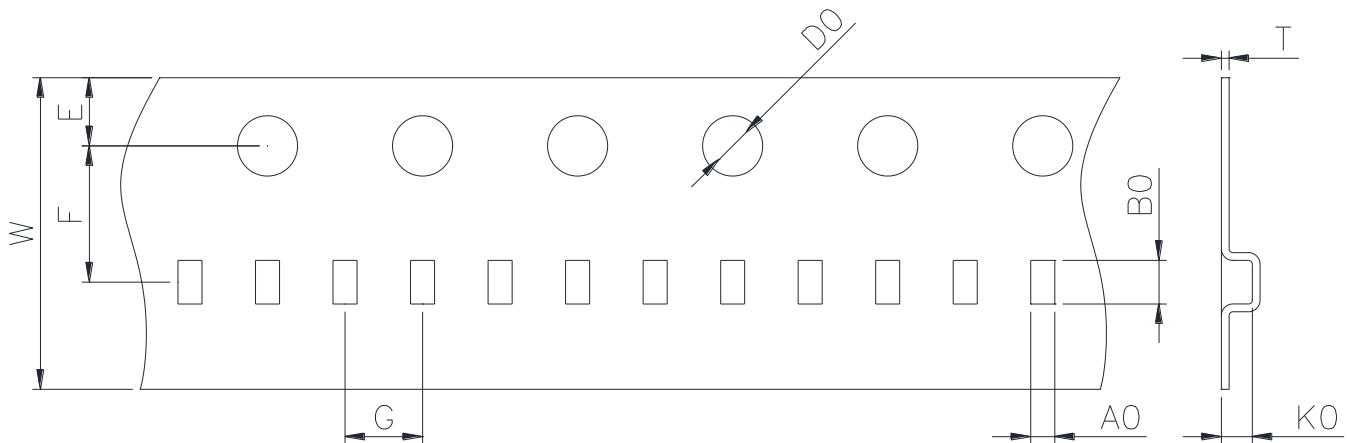
(1) Package quantity : 4,000 (pcs/reel)

(2) Reel Dimensions (unit:mm)



A	B	C	D	E	F	G
10.00	60.00	2.00	178.0	2.00	21.00	13.00
+1.50	+2.00	+0.50	+2.00	+0.50	+0.80	+0.80
-1.50	-2.00	-0.50	-2.00	-0.50	-0.80	-0.80

(3) Tape Dimensions



W	A0	B0	T	E	F	G	D0	K0
8.00	1.55	2.30	0.20	1.75	3.50	4.00	1.50	1.20
+0.20	+0.10	+0.10	+0.05	+0.10	+0.05	+0.10	+0.10	+0.05
-0.20	-0.10	-0.10	-0.05	-0.10	-0.05	-0.10	-0.00	-0.05

Ilsan Sales Office (KOREA) +82)31-904-1444  
 China Sales Office (CHINA) +86)758-278-7031  
 Hungary Sales office (EUROPE) +36)1-899-8543

H.K Sales Office (HONGKONG) +852)2711-5551  
 LA Sales Office (USA) +1)866-446-3586

• You can also contact us by e-mail : [coilmaster@coilmaster.com](mailto:coilmaster@coilmaster.com)

- All specifications are subject to change without notice.
- Update date : 2023.03.29

[www.coilmaster.com](http://www.coilmaster.com)