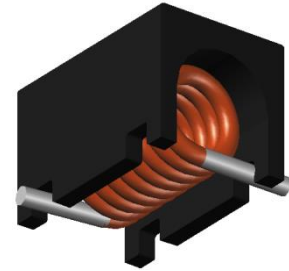


CMI-SC0403-SERIES



Features

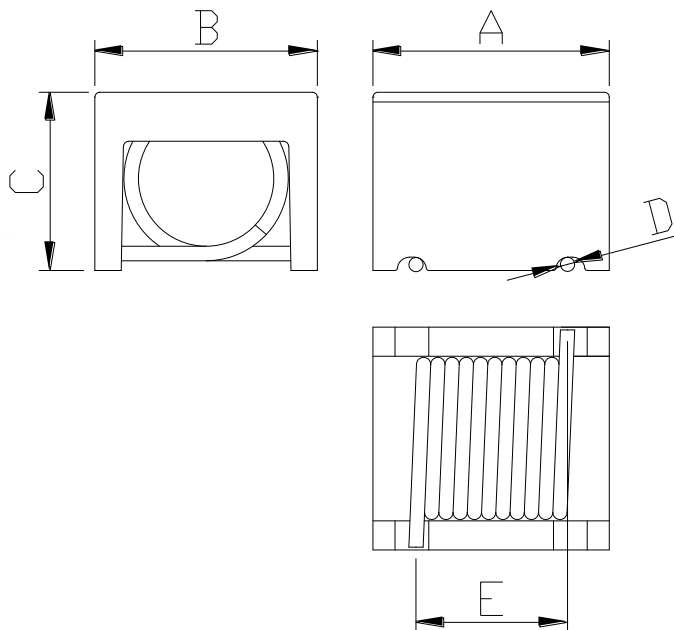
- ▶ High Q over a wide frequency range
- ▶ Tinned leads assure reliable soldering
- ▶ Standard EIA tape and reel packing
- ▶ Forms a flat top making them suitable for automatic placement and reflow.
- ▶ RoHS compliant.
- ▶ Halogen Free.



Applications

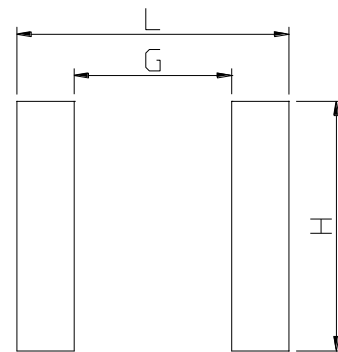
- ▶ Satellite communication systems, equipment (TV, STB, audio, etc)

Dimension (Unit:mm)



A	B	C	D	E
4.25±0.1	3.75±0.1	3.3 Max	Φ0.32	2.75±0.05

Land Pattern (Unit:mm)



L	G	H
3.8	2.2	3.5

Specifications

Part Number	Inductance (nH) ±20%	DCR (mohm) Max.	TEST Freq. (Hz)
CMI-SC0403-820M	82	18.0	2.52M

- Operating Temperature Range(including self temperature) : -40°C ~ +125 °c

Ilisan Sales Office (KOREA) +82)31-904-1444
 Shenzhen Sales Office (CHINA) +86)755-8663-6929
 Hungary Sales office (EUROPE) +36)30-913-7706

H.K Sales Office (HONGKONG) +852)2711-5551
 LA Sales Office (USA) +1)866-446-3586

▪ You can also contact us by e-mail : coilmaster@coilmaster.com

- All specifications are subject to change without notice.
- Update date : 2018.07.24

www.coilmaster.com