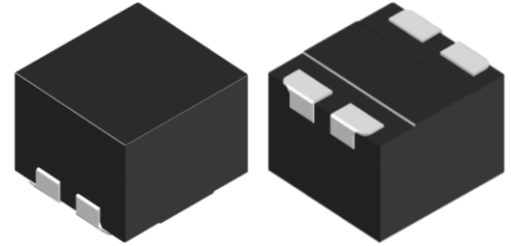




CMI-SMMPP10080MH-SERIES

Features

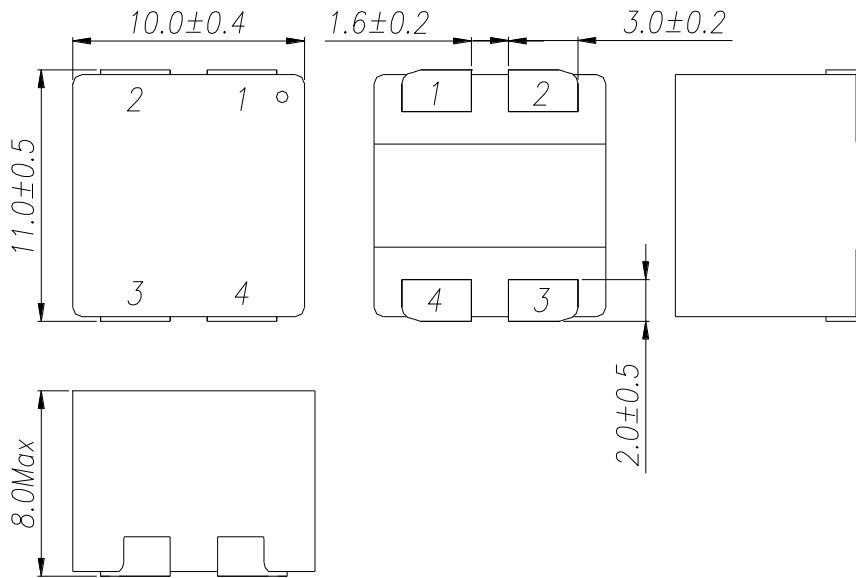
- ▶ High current and low profile
- ▶ Metal powder molding type for EMC protection.
- ▶ Available tape and reel for auto insertion.
- ▶ Coupling Inductor (2in1)
- ▶ Tight winding coupling
- ▶ AEC-Q200 qualified
- ▶ Halogen-Free/ RoHS compliant.



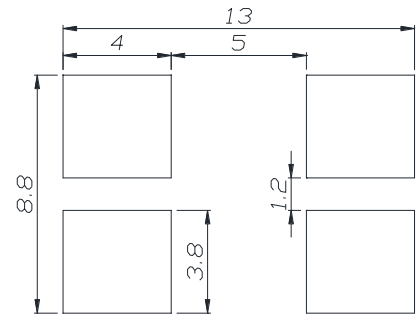
Applications

- ▶ DC/DC Converters in SEPIC topology
- ▶ Flyback, Zeta converters
- ▶ Common mode inductors in power supply lines
- ▶ LED Lighting

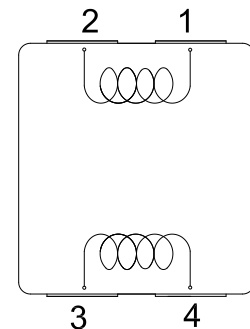
Dimension (Unit:mm)



Land Pattern (Unit:mm)

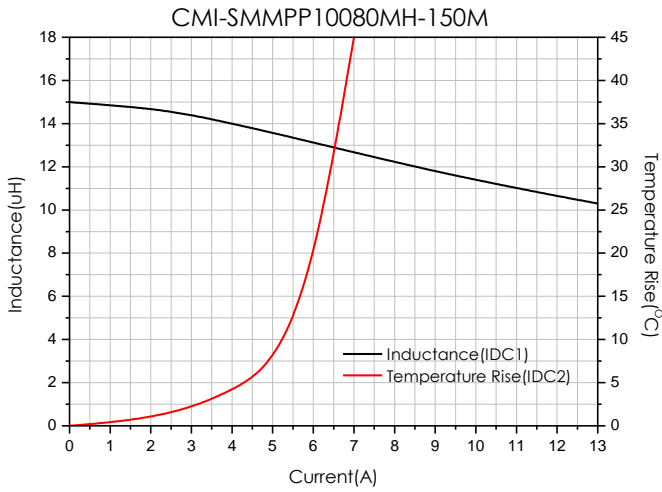
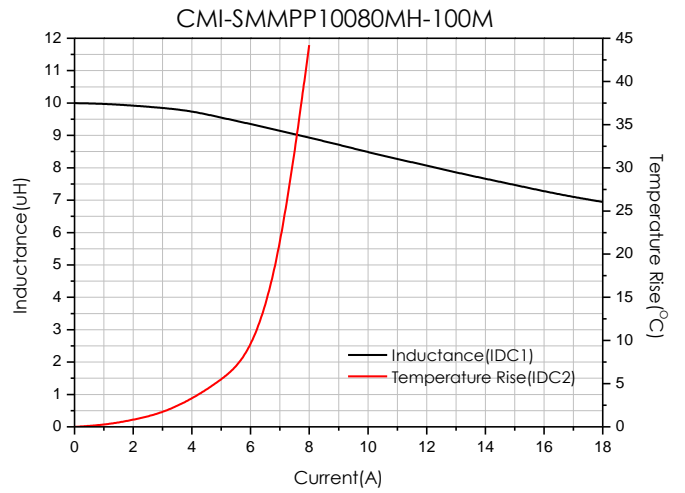
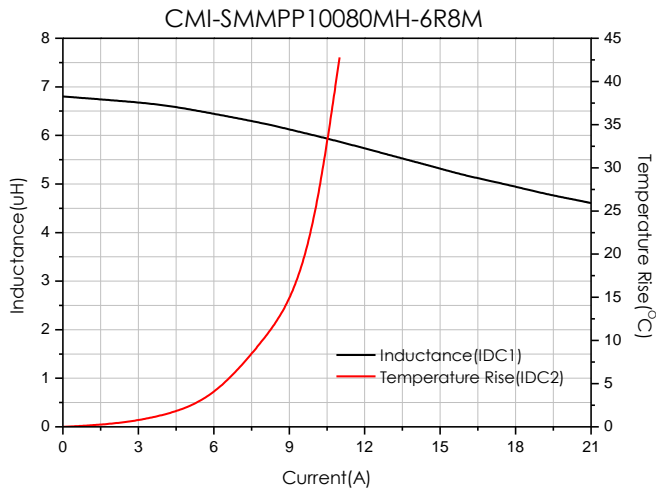


Schemati



Regulation of part number

- You can also contact us by e-mail : coilmaster@coilmaster.com
- All specifications are subject to change without notice.
- Update date : 2021.02.01

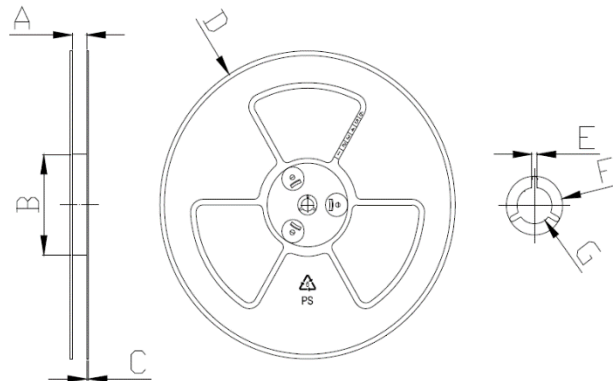


- You can also contact us by e-mail : coilmaster@coilmaster.com
- All specifications are subject to change without notice.
- Update date : 2021.02.01

Packaging

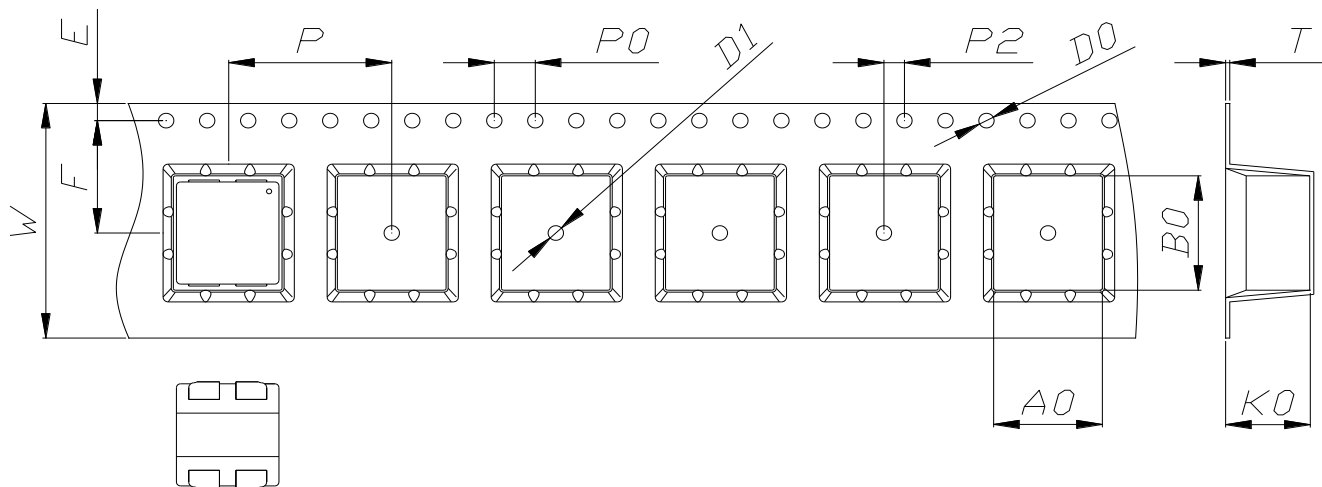
(1) Package quantity : 400 (pcs/reel)

(2) Reel Dimensions (unit:mm)



A	B	C	D	E	F	G
24.50	100.0	2.00	330.0	2.30	21.00	13.00
+0.50	+1.00	+0.10	+3.00	+0.30	+0.80	+0.40
-0.50	-1.00	-0.10	-3.00	-0.30	-0.80	-0.40

(3) Tape Dimensions



W	A0	B0	K0	E	F	P	P0	P2	D0/D1	T
24.00	10.60	11.70	8.20	1.75	11.50	16.00	4.00	2.00	1.50	0.40
+0.30	+0.10	+0.10	+0.10	+0.10	+0.10	+0.10	+0.10	+0.10	+0.10	+0.05
-0.10	-0.10	-0.10	-0.10	-0.10	-0.10	-0.10	-0.10	-0.10	-0.00	-0.05

Ilisan Sales Office (KOREA) +82)31-904-1444
 Shenzhen Sales Office (CHINA) +86)755-8663-6929
 Hungary Sales office (EUROPE) +36)30-913-7706

H.K Sales Office (HONGKONG) +852)2711-5551
 LA Sales Office (USA) +1)866-446-3586

• You can also contact us by e-mail : coilmaster@coilmaster.com

- All specifications are subject to change without notice.
- Update date : 2021.02.01

www.coilmaster.com