

CMI-SSBD7060NF-150M



Picture



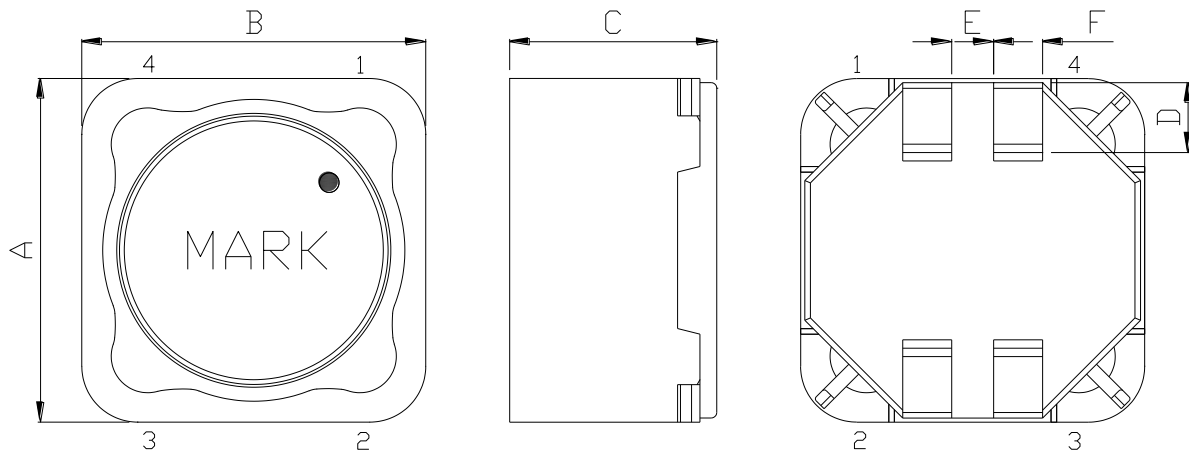
Features

- ▶ High current, Low DCR.
- ▶ Available tape and reel for auto insertion.
- ▶ Coupling inductor (2in1)
- ▶ AEC-Q200 compliant
- ▶ RoHS compliant

Applications

- ▶ SEPIC Circuit
- ▶ Equipment using for automobiles (ECM, airbags, headlights, Electronic Powder steering, motors, ABS, other)
- ▶ DC/DC Converters
- ▶ Common mode application

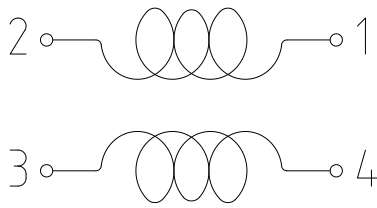
Dimension (Unit:mm)



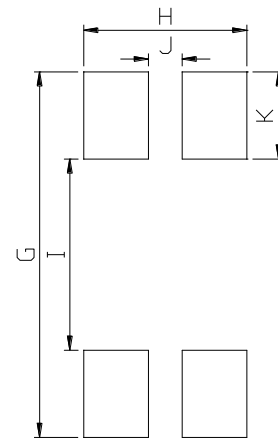
A	B	C	D	E	F
7.3 Max	7.3 Max	6.0 Max	1.45±0.2	1.1±0.2	0.8±0.2

- You can also contact us by e-mail : coilmaster@coilmaster.com
- All specifications are subject to change without notice.
- Update date : 2020.05.06

Schematic Diagram



Recommended Pattern



G	H	I	J	K
7.4	3.1	2.5	0.7	2.45

Specifications

Part Number	Inductance (uH) ±20%	DCR(mohm) Max.(Typ.)	Isat(A) Max.(Typ.)	Irms(A) Max.(Typ.)
CMI-SSBD7060NF-150M	15	85(75)	2.80(3.10)	2.10(2.30)

- Test condition : 100kHz, 1V
- Isat: When based on the inductance change rate (approximately 30% below in the initial value)
- Itemp: When based on the temperature increase (Temperature increase of approximately 40°C by self heating)
- Operating Temperature Range(including self temperature) : -40°C ~ +165 °C

Note 1 : Circuit design, component placement, PCB trace size and thickness, airflow and other cooling. Provision all affect the part Temperature. Part temperature should be verified in the end application.

Ilsan Sales Office (KOREA) +82)31-904-1444
 Shenzhen Sales Office (CHINA) +86)755-8663-6929
 Hungary Sales office (EUROPE) +36)30-913-7706

H.K Sales Office (HONGKONG) +852)2711-5551
 LA Sales Office (USA) +1)866-446-3586

▪ You can also contact us by e-mail : coilmaster@coilmaster.com

- All specifications are subject to change without notice.
- Update date : 2020.05.06

www.coilmaster.com