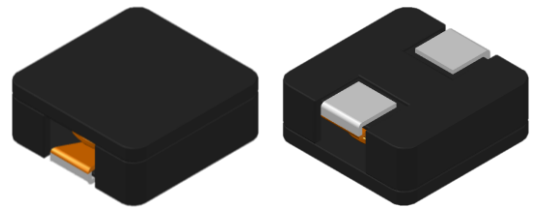


# CMI-SSMF12050MH-SERIES

## Features

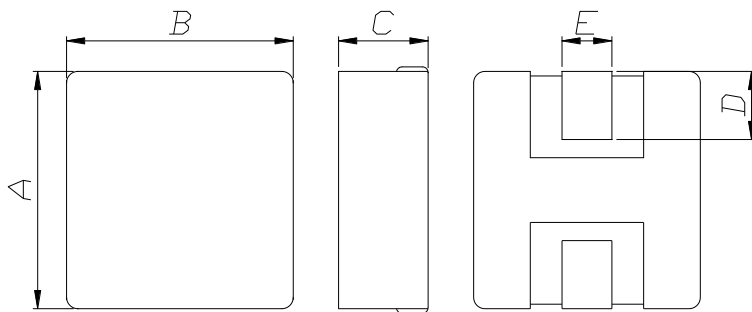
- ▶ High current and low profile/ Low DC resistance
- ▶ Magnetic shielding for high-density packaging
- ▶ Available tape and reel for auto insertion.
- ▶ Halogen-Free / RoHS compliant.
- ▶ AEC-Q200 qualified.



## Applications

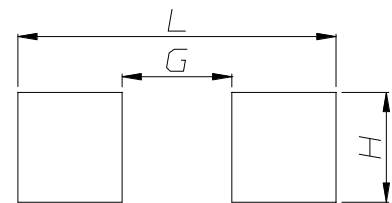
- ▶ Graphic cards / Industrial computers, DC/DC converters / Motherboards / Filter, High current switching regulators / Polyphase-switching regulations

**Dimension (Unit:mm)**



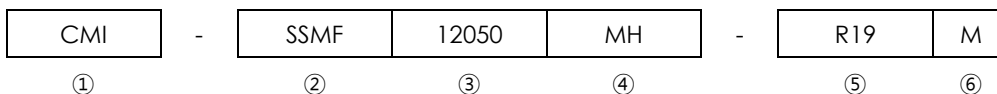
Value	A	B	C	D	E
R25~3R3	13.8	12.8±0.5	4.7±0.3	3.0±0.5	2.5±0.3
4R7~220	Max.				2.0±0.3

**Land Pattern (Unit:mm)**



L	G	H
15.0	6.0	5.0

## Regulation of part number



- ① CoilMaster's initial
- ② Series Name : Metal material Square Shield Flat wire type Power inductor
- ③ Core Size (unit:mm)
- ④ Material
- ⑤ Typical inductance value (0.19uH)
- ⑥ Inductance tolerance (±20%)

• You can also contact us by e-mail : [coilmaster@coilmaster.com](mailto:coilmaster@coilmaster.com)  
 • All specifications are subject to change without notice.  
 • Update date : 2021.09.02

## Specifications

Part Number	Inductance (uH) ±20%	DCR(mohm) Max.(Typ.)	Isat(A) Typ.	Irms(A) Typ.	Test Frequency (Hz)
CMI-SSMF12050MH-R19M	0.19	0.55(0.48)	7.00	32.00	100k
CMI-SSMF12050MH-R45M	0.45	1.05(0.90)	55.00	26.00	100k
CMI-SSMF12050MH-R82M	0.82	1.85(1.60)	42.00	25.00	100k
CMI-SSMF12050MH-1R0M	1.0	1.65(1.43)	35.00	24.00	100k
CMI-SSMF12050MH-1R6M	1.6	2.65(2.30)	27.00	22.00	100k
CMI-SSMF12050MH-2R2M	2.2	3.88(3.37)	23.00	18.00	100k
CMI-SSMF12050MH-3R3M	3.3	5.35(4.64)	19.00	16.50	100k
CMI-SSMF12050MH-4R5M	4.5	7.50(6.46)	17.00	14.00	100k
CMI-SSMF12050MH-5R6M	5.6	9.20(8.00)	15.00	12.00	100k
CMI-SSMF12050MH-6R8M	6.8	11.80(10.30)	13.00	10.30	100k
CMI-SSMF12050MH-8R2M	8.2	11.80(10.30)	11.00	10.30	100k
CMI-SSMF12050MH-100M	10.0	15.50(13.50)	10.00	8.80	100k
CMI-SSMF12050MH-130M	13.0	19.50(16.90)	8.80	7.50	100k
CMI-SSMF12050MH-150M	15.0	24.60(21.40)	8.00	6.50	100k
CMI-SSMF12050MH-180M	18.0	31.50(27.40)	7.50	5.50	100k
CMI-SSMF12050MH-220M	22.0	39.60(34.40)	6.50	4.70	100k

- Isat: When based on the inductance change rate (approximately 30% below in the initial value)
- Irms: When based on the temperature increase (Temperature increase of approximately 50°C by self heating)
- Operating Temperature Range(including self temperature) : -40°C ~ +125 °c

Note 1 : Circuit design, component placement, PCB trace size and thickness, airflow and other cooling. Provision all affect the part Temperature. Part temperature should be verified in the end application.

▪ You can also contact us by e-mail : [coilmaster@coilmaster.com](mailto:coilmaster@coilmaster.com)

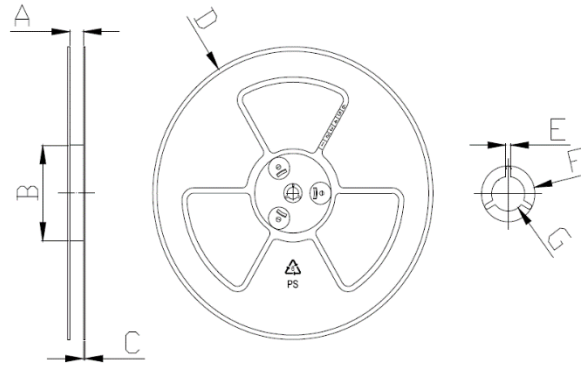
- All specifications are subject to change without notice.
- Update date : 2021.09.02

[www.coilmaster.com](http://www.coilmaster.com)

## Packaging

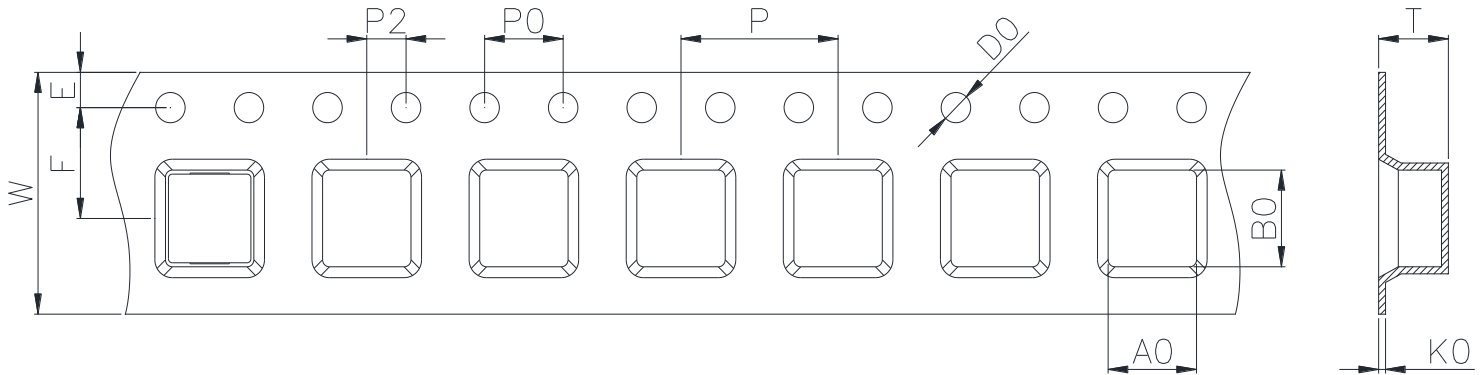
(1) Package quantity : 400 (pcs/reel)

(2) Reel Dimensions (unit:mm)



A	B	C	D	E	F	G
24.50	100.0	2.30	330.0	2.30	21.50	13.00
+0.50	+1.00	+0.20	+3.00	+0.30	+0.30	+0.50
-0.50	-1.00	-0.20	-3.00	-0.30	-0.30	-0.20

(3) Tape Dimensions



W	A0	B0	K0	E	F	P	P0	P2	D0/D1	T
24.00	14.00	14.00	5.80	1.75	11.50	16.00	4.00	2.00	1.50	0.40
+0.30	+0.10	+0.10	+0.10	+0.10	+0.10	+0.10	+0.10	+0.10	+0.05	+0.05
-0.30	-0.10	-0.10	-0.10	-0.10	-0.10	-0.10	-0.10	-0.10	-0.05	-0.05

Ilisan Sales Office (KOREA) +82)31-904-1444  
 Shenzhen Sales Office (CHINA) +86)755-8663-6929  
 Hungary Sales office (EUROPE) +36)30-913-7706

H.K Sales Office (HONGKONG) +852)2711-5551  
 LA Sales Office (USA) +1)866-446-3586

• You can also contact us by e-mail : [coilmaster@coilmaster.com](mailto:coilmaster@coilmaster.com)

- All specifications are subject to change without notice.
- Update date : 2021.09.02

[www.coilmaster.com](http://www.coilmaster.com)