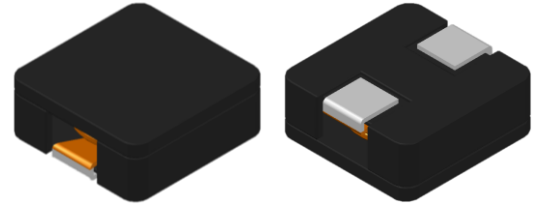


# CMI-SSMF6030MH-SERIES

## Features

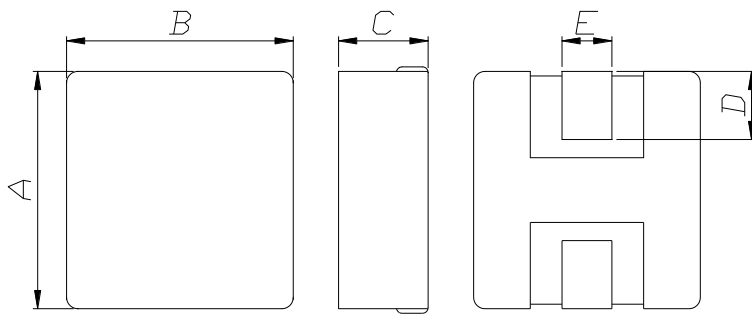
- ▶ High current and low profile
- ▶ Low DC resistance
- ▶ Magnetic shielding for high-density packaging
- ▶ Available tape and reel for auto insertion.
- ▶ Halogen-Free / RoHS compliant.



## Applications

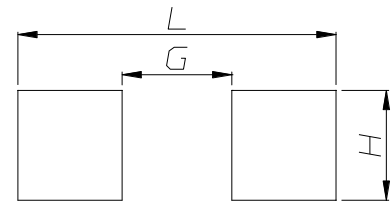
- ▶ Graphic cards / Industrial computers, DC/DC converters / Motherboards / Filter, High current switching regulators / Polyphase-switching regulations

### Dimension (Unit:mm)



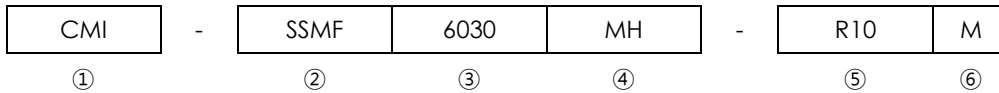
A	B	C	D	E
7.0±0.5	6.9±0.3	3.0±0.3	1.8±0.3	1.4±0.3

### Land Pattern (Unit:mm)



L	G	H
7.8	2.4	2.2

## Regulation of part number



- ① CoilMaster's initial
- ② Series Name : Metal material Square Shield Flat wire type Power inductor
- ③ Core Size (unit:mm)
- ④ Material
- ⑤ Typical inductance value (0.1uH)
- ⑥ Inductance tolerance (±20%)

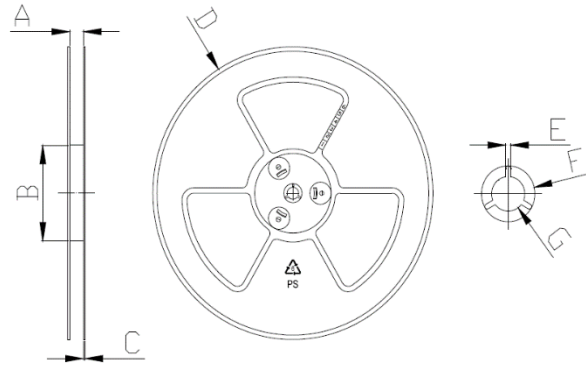
• You can also contact us by e-mail : [coilmaster@coilmaster.com](mailto:coilmaster@coilmaster.com)  
 • All specifications are subject to change without notice.  
 • Update date : 2021.09.02



## Packaging

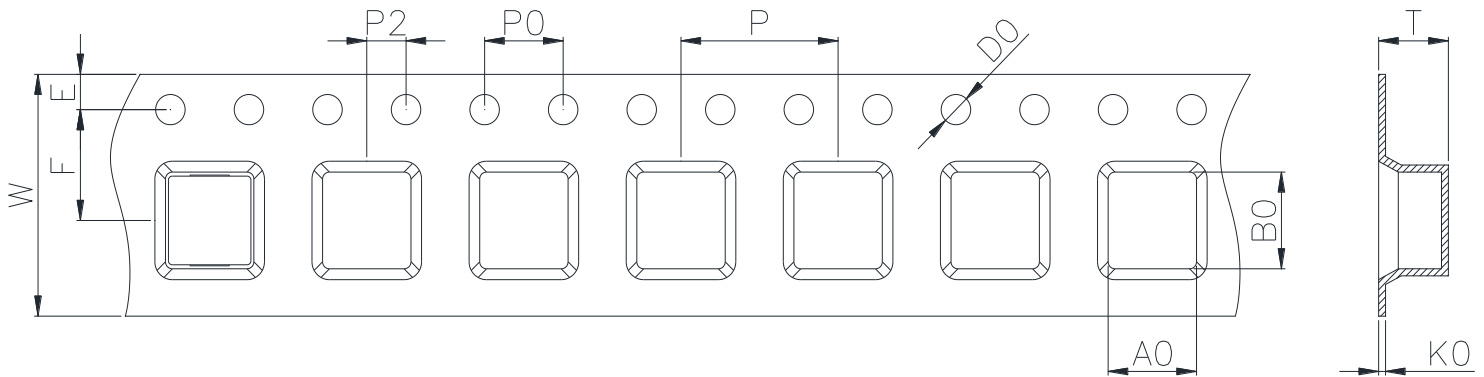
(1) Package quantity : 1,500 (pcs/reel)

(2) Reel Dimensions (unit:mm)



A	B	C	D	E	F	G
16.50	100.0	2.30	330.0	2.30	21.50	13.00
+0.50	+1.00	+0.20	+2.00	+0.30	+0.30	+0.50
-0.50	-1.00	-0.20	-2.00	-0.30	-0.30	-0.20

(3) Tape Dimensions



W	A0	B0	K0	E	F	P	P0	P2	D0/D1	T
16.00	7.05	7.20	3.40	1.75	7.50	12.00	4.00	2.00	1.50	0.40
+0.30	+0.10	+0.10	+0.10	+0.10	+0.10	+0.10	+0.10	+0.10	+0.10	+0.05
-0.30	-0.10	-0.10	-0.10	-0.10	-0.10	-0.10	-0.10	-0.10	-0.00	-0.05

Ilisan Sales Office (KOREA) +82)31-904-1444  
 Shenzhen Sales Office (CHINA) +86)755-8663-6929  
 Hungary Sales office (EUROPE) +36)30-913-7706

H.K Sales Office (HONGKONG) +852)2711-5551  
 LA Sales Office (USA) +1)866-446-3586

• You can also contact us by e-mail : [coilmaster@coilmaster.com](mailto:coilmaster@coilmaster.com)

- All specifications are subject to change without notice.
- Update date : 2021.09.02

[www.coilmaster.com](http://www.coilmaster.com)