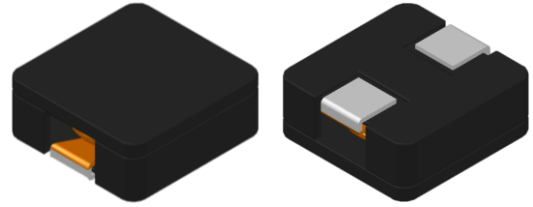




# CMI-SSMF6050MH-SERIES

## Features

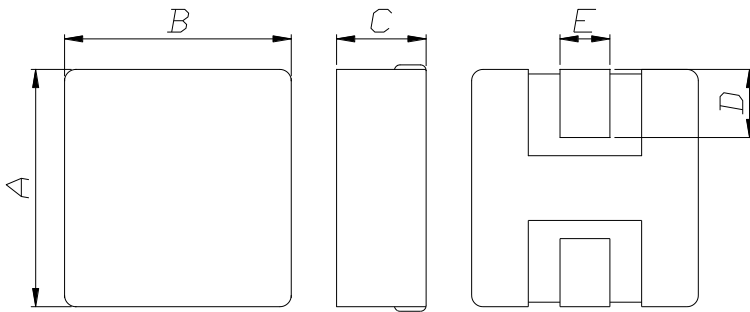
- ▶ High current and low profile
- ▶ Low DC resistance
- ▶ Magnetic shielding for high-density packaging
- ▶ Available tape and reel for auto insertion.
- ▶ Halogen-Free / RoHS compliant.



## Applications

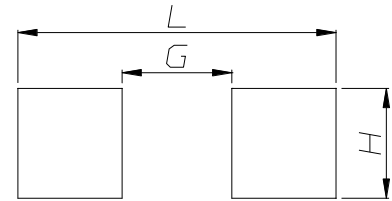
- ▶ Graphic cards / Industrial computers, DC/DC converters / Motherboards / Filter, High current switching regulators / Polyphase-switching regulations

### Dimension (Unit:mm)



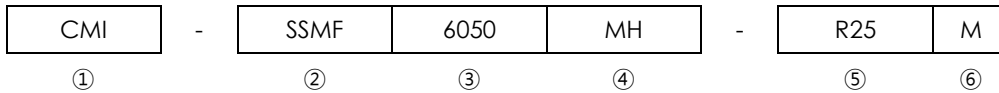
A	B	C	D	E
7.0±0.5	6.9±0.3	4.7±0.3	1.8±0.3	1.4±0.3

### Land Pattern (Unit:mm)



L	G	H
7.8	2.4	2.2

## Regulation of part number



- ① CoilMaster's initial
- ② Series Name : Metal material Square Shield Flat wire type Power inductor
- ③ Core Size (unit:mm)
- ④ Material
- ⑤ Typical inductance value (0.25uH)
- ⑥ Inductance tolerance (±20%)

- You can also contact us by e-mail : [coilmaster@coilmaster.com](mailto:coilmaster@coilmaster.com)
- All specifications are subject to change without notice.
- Update date : 2021.09.02

## Specifications

Part Number	Inductance (uH) $\pm 20\%$	DCR(mohm) Max.(Typ.)	Isat(A) Typ.	Irms(A) Typ.	Test Frequency (Hz)
CMI-SSMF6050MH-R25M	0.25	1.00(0.88)	35.00	21.00	100k
CMI-SSMF6050MH-R47M	0.47	1.56(1.36)	25.00	18.00	100k
CMI-SSMF6050MH-1R0M	1.0	4.10(3.55)	21.00	15.00	100k
CMI-SSMF6050MH-1R5M	1.5	4.75(4.10)	16.00	13.50	100k
CMI-SSMF6050MH-2R0M	2.0	6.40(5.57)	14.00	11.80	100k
CMI-SSMF6050MH-2R7M	2.7	8.20(7.10)	11.80	10.30	100k
CMI-SSMF6050MH-3R3M	3.3	9.80(8.50)	10.50	9.00	100k
CMI-SSMF6050MH-3R9M	3.9	14.20(12.30)	10.00	8.00	100k
CMI-SSMF6050MH-4R7M	4.7	17.00(14.80)	9.00	6.50	100k
CMI-SSMF6050MH-5R6M	5.6	22.10(19.20)	8.50	6.20	100k
CMI-SSMF6050MH-6R8M	6.8	23.60(20.50)	7.80	6.00	100k
CMI-SSMF6050MH-7R6M	7.6	23.60(20.50)	7.00	6.00	100k
CMI-SSMF6050MH-8R8M	8.8	24.90(21.60)	6.50	4.80	100k
CMI-SSMF6050MH-100M	10.0	30.50(26.50)	6.00	4.40	100k
CMI-SSMF6050MH-130M	13.0	44.50(38.60)	5.00	3.10	100k

- Isat: When based on the inductance change rate (approximately 30% below in the initial value)
- Irms: When based on the temperature increase (Temperature increase of approximately 50°C by self heating)
- Operating Temperature Range(including self temperature) : -40°C ~ +125 °c

Note 1 : Circuit design, component placement, PCB trace size and thickness, airflow and other cooling. Provision all affect the part Temperature. Part temperature should be verified in the end application.

▪ You can also contact us by e-mail : [coilmaster@coilmaster.com](mailto:coilmaster@coilmaster.com)

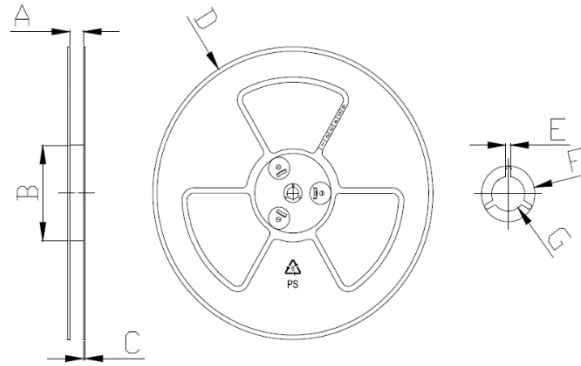
- All specifications are subject to change without notice.
- Update date : 2021.09.02

[www.coilmaster.com](http://www.coilmaster.com)

## Packaging

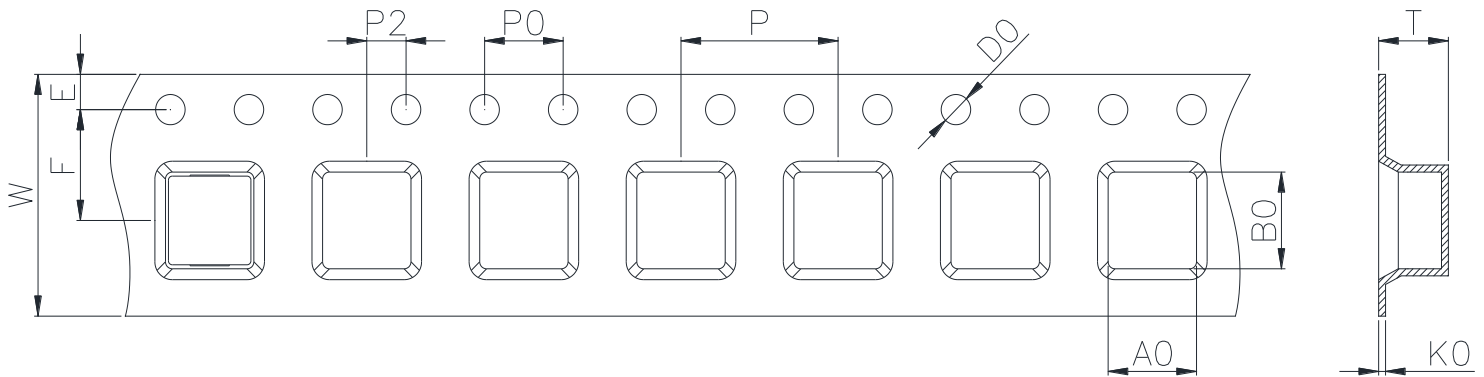
(1) Package quantity : 1,000 (pcs/reel)

(2) Reel Dimensions (unit:mm)



A	B	C	D	E	F	G
16.50	100.0	2.30	330.0	2.30	21.50	13.00
+0.50	+1.00	+0.20	+2.00	+0.30	+0.30	+0.50
-0.50	-1.00	-0.20	-2.00	-0.30	-0.30	-0.20

(3) Tape Dimensions



W	A0	B0	K0	E	F	P	P0	P2	D0/D1	T
16.00	7.30	7.50	5.50	1.75	7.50	12.00	4.00	2.00	1.50	0.40
+0.30	+0.10	+0.10	+0.10	+0.10	+0.10	+0.10	+0.10	+0.10	+0.10	+0.05
-0.30	-0.10	-0.10	-0.10	-0.10	-0.10	-0.10	-0.10	-0.10	-0.00	-0.05

Ilisan Sales Office (KOREA) +82)31-904-1444  
 Shenzhen Sales Office (CHINA) +86)755-8663-6929  
 Hungary Sales office (EUROPE) +36)30-913-7706

H.K Sales Office (HONGKONG) +852)2711-5551  
 LA Sales Office (USA) +1)866-446-3586

• You can also contact us by e-mail : [coilmaster@coilmaster.com](mailto:coilmaster@coilmaster.com)

- All specifications are subject to change without notice.
- Update date : 2021.09.02

[www.coilmaster.com](http://www.coilmaster.com)