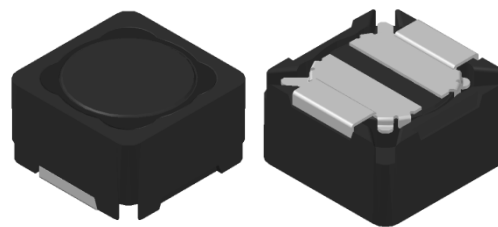




CMI-SSP10048NH-SERIES

Features

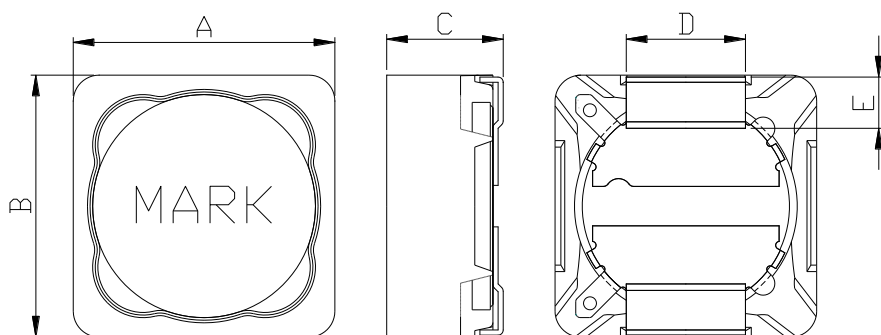
- ▶ SMD Inductor
- ▶ It corresponds to high current
- ▶ Simple and Shield structure
- ▶ Available tape and reel for auto insertion
- ▶ RoHs compliant / Halogen Free



Applications

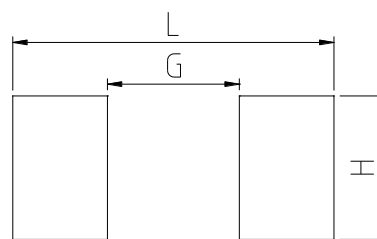
- ▶ For small DC/DC converter (LCD/LED/OLED TV, PC, SETTOP etc)
- ▶ For Power supply circuits

Dimension (Unit:mm)



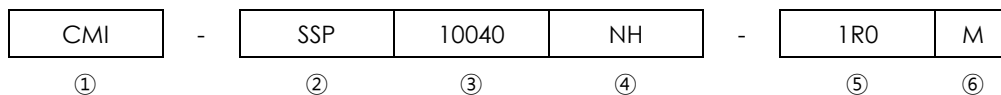
A	B	H	D	E
10.0±0.3	10.0±0.3	4.8 Max	4.6±0.2	1.97±0.3

Land Pattern (Unit:mm)



L	G	H
11.2	4.6	5.0

Regulation of part number



- ① CoilMaster's initial
- ② Series Name : Shielded core Square shape Pin type Power Inductor
- ③ Core Size (unit:mm)
- ④ Type
- ⑤ Typical inductance value (1.0uH)
- ⑥ Inductance tolerance (±20%)

• **You can also contact us by e-mail : coilmaster@coilmaster.com**
 • All specifications are subject to change without notice.
 • Update date : 2015.11.09

Specifications

Part Number	Inductance (uH)	Tolerance (±)	DCR (mohm) ±20%	IDC1(A) Max.	IDC2(A) Max.	Test Frequency (Hz)
CMI-SSP10048NH-1R0M	1.0	20%	12.0	14.50	11.00	100k
CMI-SSP10048NH-1R8M	1.8	20%	13.0	12.70	10.50	100k
CMI-SSP10048NH-2R2M	2.2	20%	15.5	11.10	10.00	100k
CMI-SSP10048NH-3R3M	3.3	20%	18.0	9.60	8.40	100k
CMI-SSP10048NH-4R7M	4.7	20%	22.0	8.13	7.70	100k
CMI-SSP10048NH-150M	15	20%	45.0	4.75	4.60	100k
CMI-SSP10048NH-220M	22	20%	66.0	4.05	4.20	100k
CMI-SSP10048NH-330M	33	20%	100.0	3.30	3.30	100k
CMI-SSP10048NH-470M	47	20%	128.0	2.80	2.90	100k
CMI-SSP10048NH-680M	68	20%	175.0	2.20	2.50	100k
CMI-SSP10048NH-101M	100	20%	272.0	1.85	2.00	100k
CMI-SSP10048NH-221M	220	20%	540.0	1.20	1.26	100k
CMI-SSP10048NH-271M	270	20%	830.0	1.10	1.15	100k
CMI-SSP10048NH-331M	330	20%	850.0	1.00	1.00	100k

- IDC1: When based on the inductance change rate (approximately 30% below in the initial value)
- IDC2: When based on the temperature increase (Temperature increase of approximately 40°C by self heating)
- Operating Temperature Range(including self temperature) : -40°C ~ +125 °C

Note 1 : Circuit design, component placement, PCB trace size and thickness, airflow and other cooling. Provision all affect the part Temperature. Part temperature should be verified in the end application.

• You can also contact us by e-mail : coilmaster@coilmaster.com

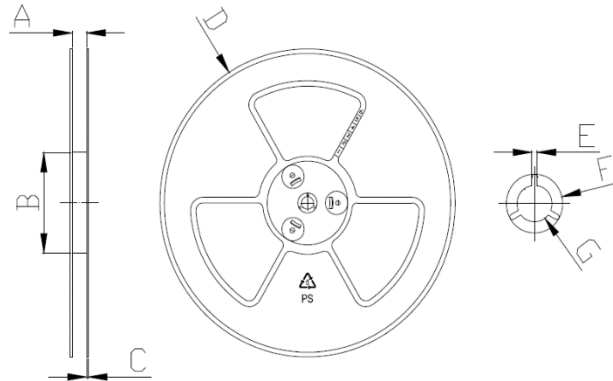
- All specifications are subject to change without notice.
- Update date : 2015.11.09

www.coilmaster.com

Packaging

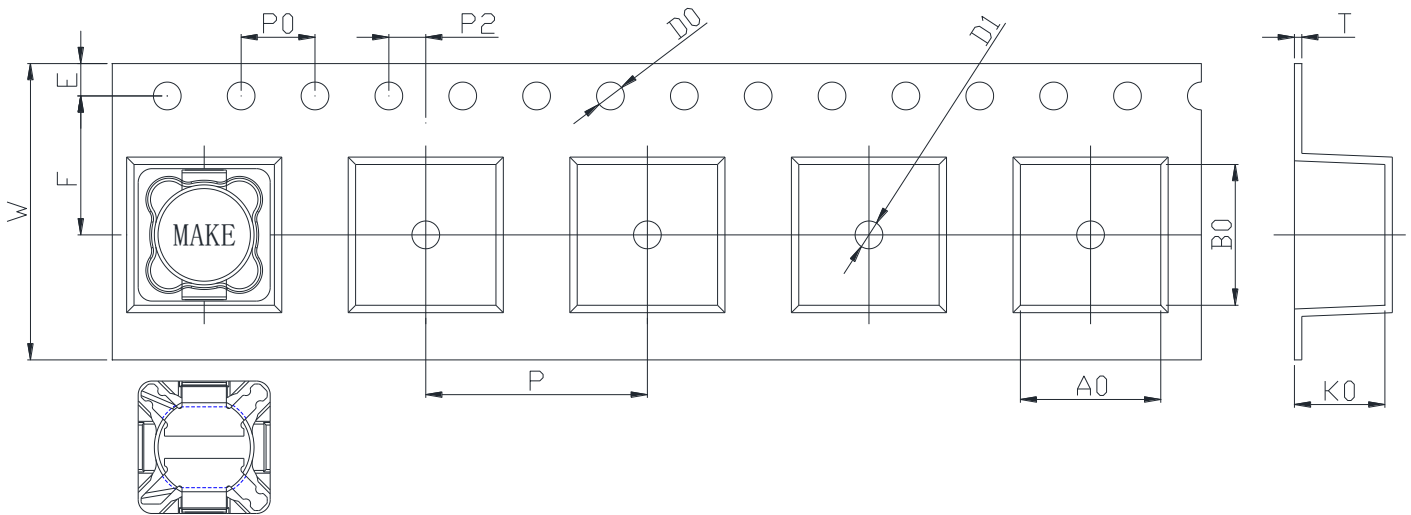
(1) Package quantity : 600 (pcs/reel)

(2) Reel Dimensions (unit:mm)



A	B	C	D	E	F	G
24.50	100.0	2.30	330.0	2.30	21.50	13.00
+0.50	+1.00	+0.20	+3.00	+0.30	+0.20	+0.40
-0.50	-1.00	-0.20	-3.00	-0.30	-0.20	-0.40

(3) Tape Dimensions



W	A0	B0	K0	E	F	P	P0	P2	D0	T
24.00	10.50	10.50	4.90	1.75	11.50	16.00	4.00	2.00	1.50	0.40
+0.30	+0.10	+0.10	+0.10	+0.10	+0.10	+0.10	+0.10	+0.10	+0.10	+0.05
-0.10	-0.10	-0.10	-0.10	-0.10	-0.10	-0.10	-0.10	-0.10	-0.00	-0.05

Ilisan Sales Office (KOREA) +82)31-904-1444
 Shenzhen Sales Office (CHINA) +86)755-8663-6929
 Hungary Sales office (EUROPE) +36)30-913-7706

H.K Sales Office (HONGKONG) +852)2711-5551
 LA Sales Office (USA) +1)866-446-3586

• You can also contact us by e-mail : coilmaster@coilmaster.com

- All specifications are subject to change without notice.
- Update date : 2015.11.09

www.coilmaster.com