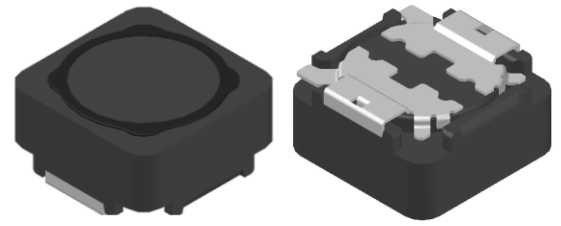




CMI-SSP12060NH-SERIES

Features

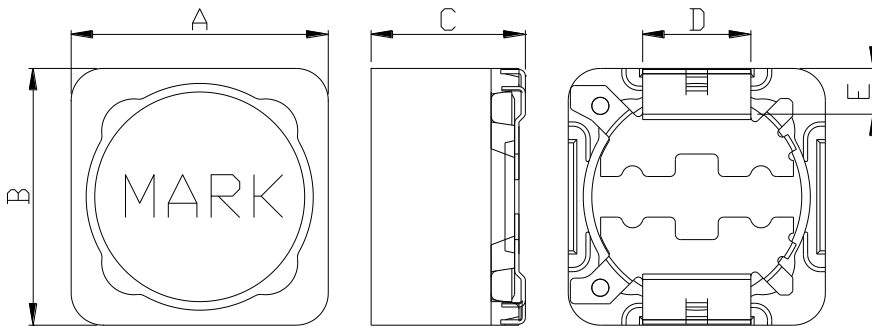
- ▶ SMD Power Inductor
- ▶ It corresponds to High current.
- ▶ Simple and Shield structure.
- ▶ Available tape and reel for auto insertion.
- ▶ RoHS compliant.
- ▶ Halogen Free.



Applications

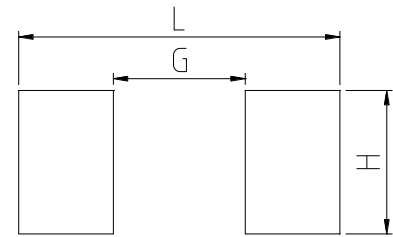
- ▶ For small DC/DC converter (LCD/LED/OLED TV, PC, SETTOP etc).
- ▶ For Power supply circuits.

Dimension (Unit:mm)



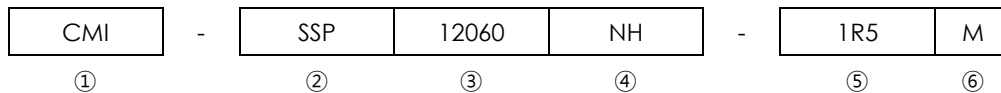
A	B	H	D	E
12.0±0.3	12.0±0.3	6.0 Max	5.0±0.2	1.9±0.3

Land Pattern (Unit:mm)



L	G	H
12.6	7.0	5.4

Regulation of part number



- ① CoilMaster's initial
- ② Series Name : Shielded core Square shape Pin type Power Inductor
- ③ Core Size (unit:mm)
- ④ Type
- ⑤ Typical inductance value (1.5 uH)
- ⑥ Inductance tolerance (±20%)

- You can also contact us by e-mail : coilmaster@coilmaster.com
- All specifications are subject to change without notice.
- Update date : 2021.11.25

Specifications

Part Number	Inductance (uH)	Tolerance (±)	DCR (mohm) Max.(Typ.)	IDC1(A) Max.(Typ.)	IDC2(A) Max.(Typ.)	Test Frequency (Hz)
CMI-SSP12060NH-1R5M	1.5	20%	14.4(12)	16.00(16.40)	12.10(12.50)	100k
CMI-SSP12060NH-2R2M	2.2	20%	12.6(10.5)	14.00(14.50)	11.00(11.40)	100k
CMI-SSP12060NH-3R3M	3.3	20%	16.8(14)	9.90(10.30)	9.80(10.10)	100k
CMI-SSP12060NH-4R7M	4.7	20%	18(15)	10.50(11.00)	9.30(9.70)	100k
CMI-SSP12060NH-6R8M	6.8	20%	26.4(22)	7.80(8.20)	7.20(7.80)	100k
CMI-SSP12060NH-100M	10	20%	33.6(28)	6.20(6.50)	5.50(6.00)	100k
CMI-SSP12060NH-150M	15	20%	43.2(36)	5.10(5.40)	5.10(5.40)	100k
CMI-SSP12060NH-220M	22	20%	54(45)	4.80(5.10)	5.00(5.30)	100k
CMI-SSP12060NH-330M	33	20%	61.2(51)	3.70(3.90)	3.90(4.20)	100k
CMI-SSP12060NH-470M	47	20%	114(95)	3.00(3.20)	3.20(3.50)	100k
CMI-SSP12060NH-680M	68	20%	144(120)	2.90(3.10)	3.10(3.40)	100k
CMI-SSP12060NH-561M	560	20%	990(825)	0.90(1.05)	1.10(1.20)	100k

- IDC1: When based on the inductance change rate (approximately 30% below in the initial value)
- IDC2: When based on the temperature increase (Temperature increase of approximately 40°C by self heating)
- Operating Temperature Range(including self temperature) : -40°C ~ +165 °C

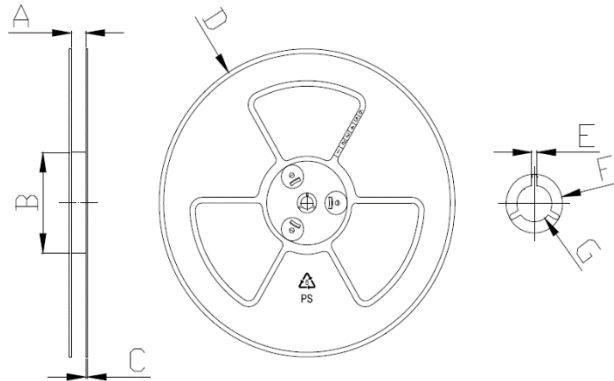
Note 1 : Circuit design, component placement, PCB trace size and thickness, airflow and other cooling. Provision all affect the part Temperature. Part temperature should be verified in the end application.

- **You can also contact us by e-mail : coilmaster@coilmaster.com**
- All specifications are subject to change without notice.
- Update date : 2021.11.25

Packaging

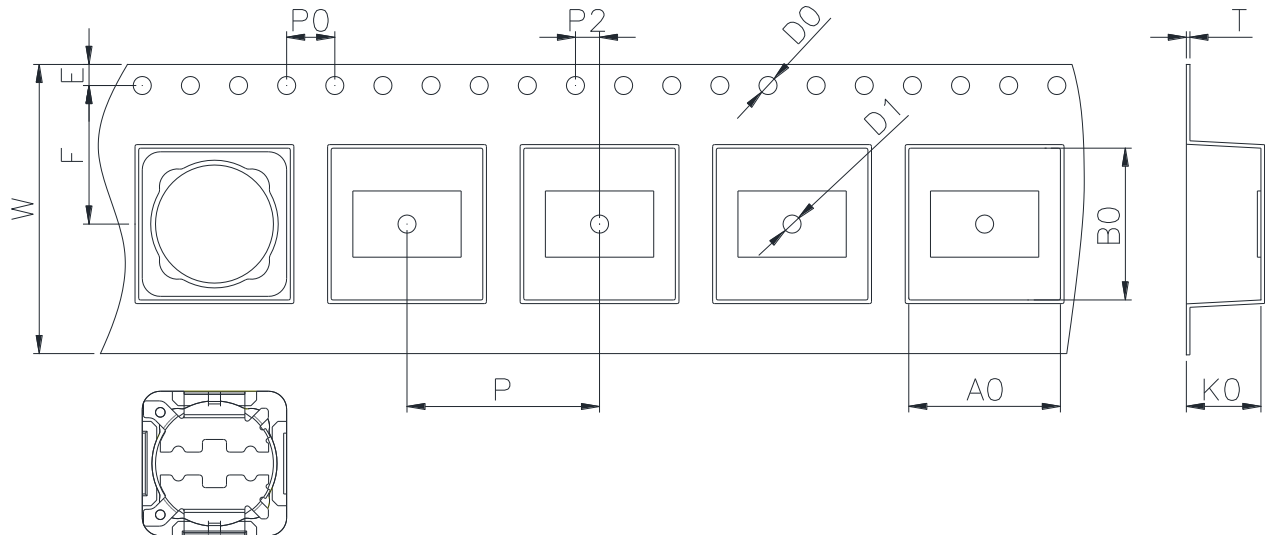
(1) Package quantity : 500 (pcs/reel)

(2) Reel Dimensions (unit:mm)



A	B	C	D	E	F	G
24.50	100.0	2.30	330.0	2.30	21.50	13.00
+0.50	+1.00	+0.20	+3.00	+0.30	+0.20	+0.40
-0.50	-1.00	-0.20	-3.00	-0.30	-0.20	-0.40

(3) Tape Dimensions



W	A0	B0	K0	E	F	P	P0	P2	D0/D1	T
24.00	12.60	12.60	6.20	1.75	11.50	16.00	4.00	2.00	1.50	0.40
+0.30	+0.20	+0.20	+0.15	+0.10	+0.10	+0.10	+0.10	+0.10	+0.10	+0.05
-0.10	-0.20	-0.20	-0.15	-0.10	-0.10	-0.10	-0.10	-0.10	-0.00	-0.05

Ilisan Sales Office (KOREA) +82)31-904-1444
 Shenzhen Sales Office (CHINA) +86)755-8663-6929
 Hungary Sales office (EUROPE) +36)30-913-7706

H.K Sales Office (HONGKONG) +852)2711-5551
 LA Sales Office (USA) +1)866-446-3586

- You can also contact us by e-mail : coilmaster@coilmaster.com
- All specifications are subject to change without notice.
- Update date : 2021.11.25

www.coilmaster.com