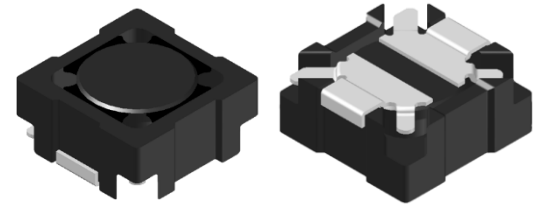


# CMI-SSP6028NH-B SERIES

## Features

- ▶ SMD Inductor
- ▶ Magnetic shield type wound inductor for power circuits.
- ▶ Available tape and reel for auto insertion.
- ▶ Halogen-Free.
- ▶ RoHS compliant.

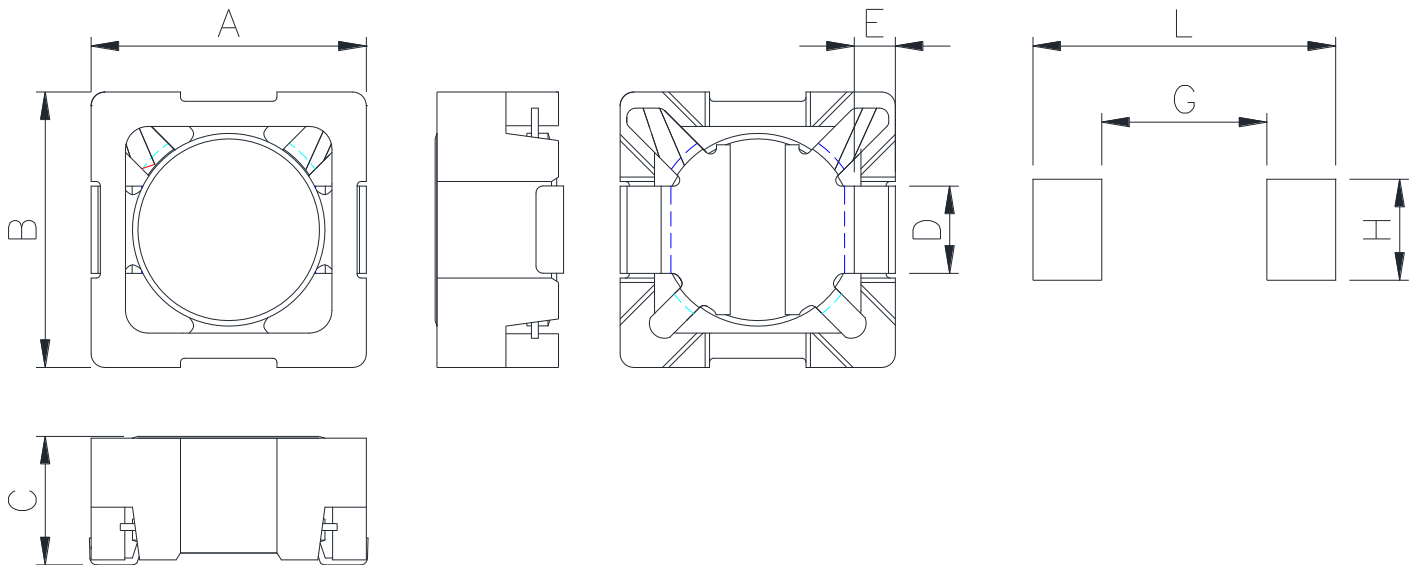


## Applications

- ▶ For small DC/DC converter (LCD/LED/OLED TV, PC, SETTOP etc).
- ▶ For Power supply circuits.

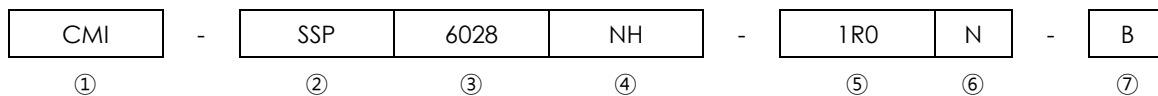
## Dimension (Unit:mm)

## Land Pattern (Unit:mm)



A	B	C	D	E	G	H	L
6.0 ±0.3	6.0 ±0.3	2.8 Max.	1.9 ±0.2	0.9 ±0.2	3.6	2.2	6.6

## Regulation of part number



- ① CoilMaster's initial
- ② Series Name : Shielded core Square shape Pin type Power Inductor
- ③ Core Size (unit:mm)
- ④ Type
- ⑤ Typical inductance value (1.0 uH)
- ⑥ Inductance tolerance ( $\pm 30\%$ )
- ⑦ Revision (B)

## Specifications

Part Number	Inductance (uH)	Tolerance ( $\pm$ )	DCR (mohm) Max.(Typ.)	Isat(A) Max.	Itemp(A) Max.	Test Frequency (Hz)
CMI-SSP6028NH-1R0N-B	1.0	30%	14.4(12)	3.60		100k
CMI-SSP6028NH-2R2N-B	2.2	30%	22.8(19)	2.30		100k
CMI-SSP6028NH-4R7N-B	4.7	30%	42(35)	1.60		100k
CMI-SSP6028NH-6R8N-B	6.8	30%	49.2(41)	1.50		100k
CMI-SSP6028NH-100M-B	10	20%	79.2(66)	1.10		100k
CMI-SSP6028NH-220M-B	22	20%	158(132)	0.77		100k
CMI-SSP6028NH-330M-B	33	20%	224(187)	0.59		100k
CMI-SSP6028NH-470M-B	47	20%	336(280)	0.52		100k
CMI-SSP6028NH-680M-B	68	20%	447(373)	0.44		100k
CMI-SSP6028NH-101M-B	100	20%	620(517)	0.36		100k
CMI-SSP6028NH-221M-B	220	20%	1404(1170)	0.24		100k

- Isat: When based on the inductance change rate (Approximately 30% below in the initial value)
- Itemp: When based on the temperature increase (Temperature increase of approximately 40°C by self heating)
- Operating Temperature Range (including self temperature) : -40°C ~ +125 °c

Note 1 : Circuit design, component placement, PCB trace size and thickness, airflow and other cooling. Provision all affect the part Temperature. Part temperature should be verified in the end application.

▪ **You can also contact us by e-mail : [coilmaster@coilmaster.com](mailto:coilmaster@coilmaster.com)**

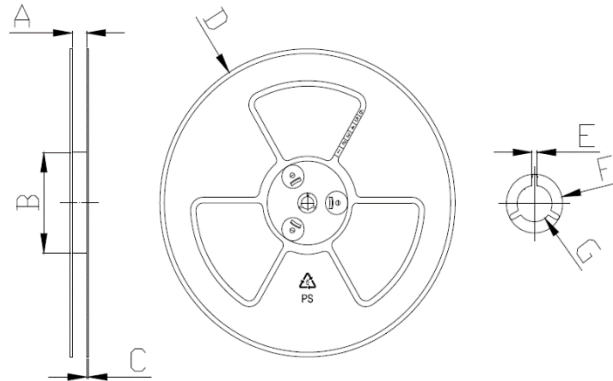
- All specifications are subject to change without notice.
- Update date : 2015.11.09

[www.coilmaster.com](http://www.coilmaster.com)

## Packaging

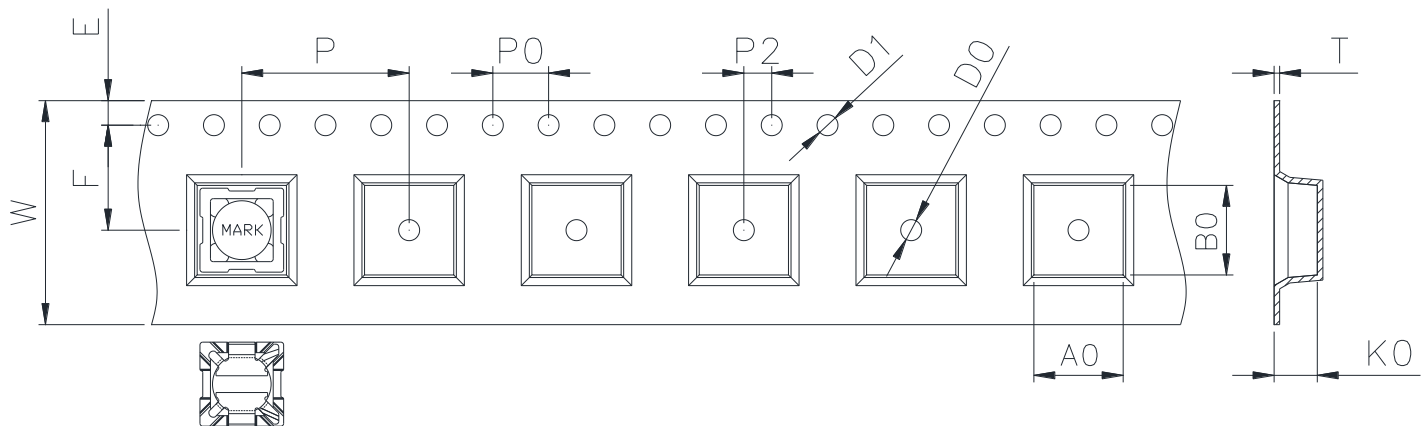
(1) Package quantity : 1,500 (pcs/reel)

(2) Reel Dimensions (unit:mm)



A	B	C	D	E	F	G
16.50	100.0	2.00	330.0	2.30	21.50	13.00
+0.50	+1.00	+0.10	+3.00	+0.30	+0.30	+0.50
-0.50	-1.00	-0.10	-3.00	-0.30	-0.30	-0.20

(3) Tape Dimensions



W	A0	B0	K0	E	F	P	P0	P2	D0/D1	T
16.00	6.40	6.40	3.10	1.75	7.50	12.00	4.00	2.00	1.50	0.40
+0.30	+0.10	+0.10	+0.10	+0.10	+0.10	+0.10	+0.10	+0.10	+0.10	+0.05
-0.10	-0.10	-0.10	-0.10	-0.10	-0.10	-0.10	-0.10	-0.10	-0.00	-0.05

Korea Sales Office (KOREA) +82)31-904-1444  
 China Sales Office (CHINA) +86)0758-683-1444  
 Hungary Sales office (EUROPE) +36)1-404-5832

H.K Sales Office (HONGKONG) +852)2711-5551  
 LA Sales Office (USA) +1)714-616-6989

• You can also contact us by e-mail : [coilmaster@coilmaster.com](mailto:coilmaster@coilmaster.com)

- All specifications are subject to change without notice.
- Update date : 2015.11.09

[www.coilmaster.com](http://www.coilmaster.com)