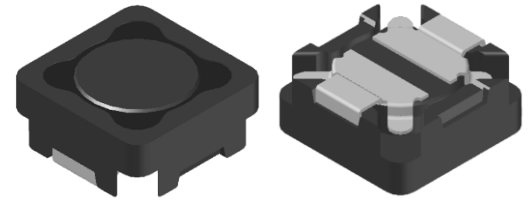


# CMI-SSP7032NH-B SERIES

## Features

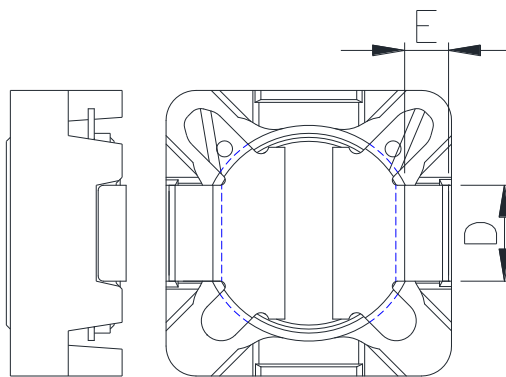
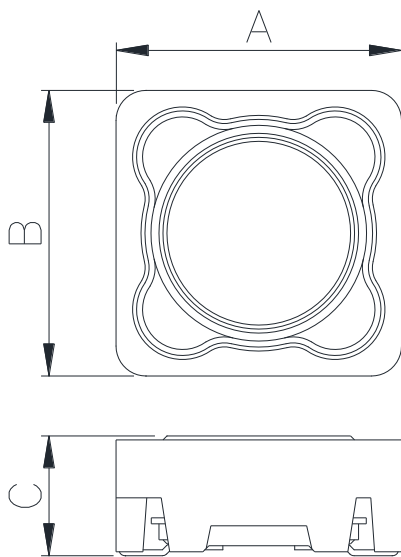
- ▶ SMD inductor
- ▶ It corresponds to High current.
- ▶ Simple and Shield structure.
- ▶ Available tape and reel for auto insertion.
- ▶ RoHS compliant.
- ▶ Halogen Free.



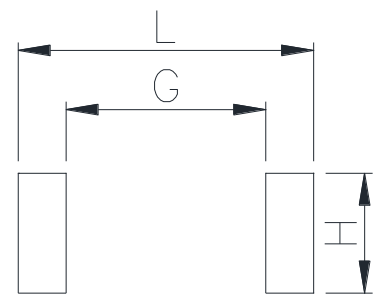
## Applications

- ▶ For small DC/DC converter (LCD/LED/OLED TV, PC, SETTOP etc).
- ▶ For Power supply circuits.

## Dimension (Unit:mm)

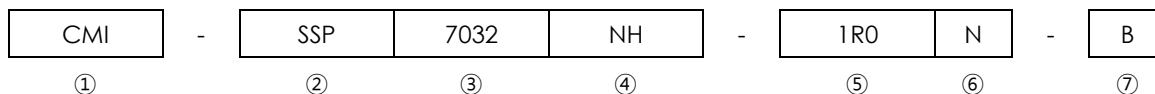


## Land Pattern (Unit:mm)



A	B	C	D	E	G	H	L
7.15 ±0.2	7.15 ±0.2	3.2 Max.	2.4 ±0.2	1.1 ±0.2	5.0	3.0	7.4

## Regulation of part number



- ① CoilMaster's initial
- ② Series Name : Shielded core Square shape Pin type Power Inductor
- ③ Core Size (unit:mm)
- ④ Type
- ⑤ Typical inductance value (1.0uH)
- ⑥ Inductance tolerance (±30%)
- ⑦ Revision (B)

## Specifications

Part Number	Inductance (uH)	Tolerance (±)	DCR (mohm) Max.(Typ.)	Isat(A) Max.	Itemp(A) Max.	Test Frequency (Hz)
CMI-SSP7032NH-1R0N-B	1.0	30%	15.6(13)	4.00		100k
CMI-SSP7032NH-3R3N-B	3.3	30%	26.4(22)	2.50		100k
CMI-SSP7032NH-4R7N-B	4.7	30%	37.2(31)	2.00		100k
CMI-SSP7032NH-6R8N-B	6.8	30%	44.4(37)	1.60		100k
CMI-SSP7032NH-100M-B	10	20%	58.8(49)	1.30		100k
CMI-SSP7032NH-220M-B	22	20%	121(101)	0.90		100k
CMI-SSP7032NH-330M-B	33	20%	170.4(142)	0.78		100k
CMI-SSP7032NH-470M-B	47	20%	232.8(194)	0.60		100k
CMI-SSP7032NH-680M-B	68	20%	315.6(263)	0.50		100k
CMI-SSP7032NH-101M-B	100	20%	517(431)	0.40		100k
CMI-SSP7032NH-221M-B	220	20%	1009(841)	0.30		100k

- Isat: When based on the inductance change rate (Approximately 20% below in the initial value)
- Itemp: When based on the temperature increase (Temperature increase of approximately 40°C by self heating)
- Operating Temperature Range (including self temperature) : -40°C ~ +125 °c

Note 1 : Circuit design, component placement, PCB trace size and thickness, airflow and other cooling. Provision all affect the part Temperature. Part temperature should be verified in the end application.

---

Korea Sales Office (KOREA)	+82)31-904-1444	H.K Sales Office (HONGKONG)	+852)2711-5551
China Sales Office (CHINA)	+86)0758-683-1444	LA Sales Office (USA)	+1)714-616-6989
Hungary Sales office (EUROPE)	+36)1-404-5832		

▪ **You can also contact us by e-mail : [coilmaster@coilmaster.com](mailto:coilmaster@coilmaster.com)**

- All specifications are subject to change without notice.
- Update date : 2015.11.09

[www.coilmaster.com](http://www.coilmaster.com)